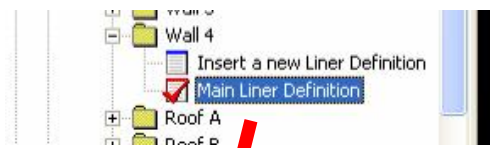
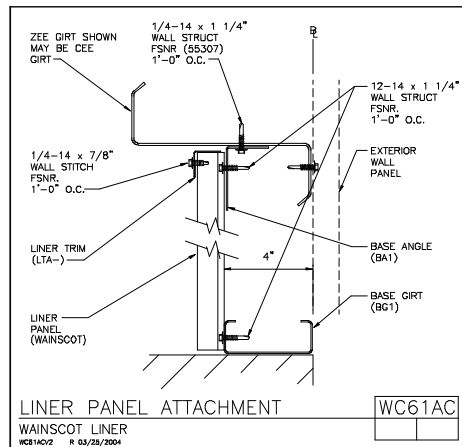
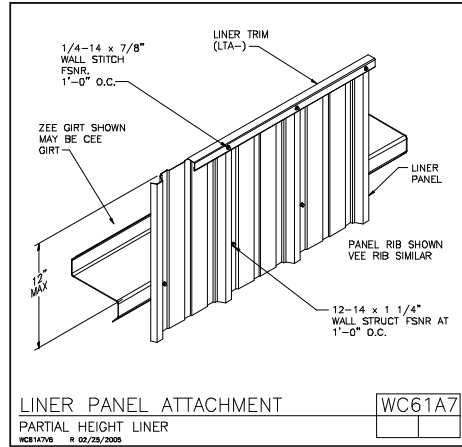


VPC Tip #51 Liner Panel in VPCCommand

Liner Panel In VPCCommand

The proper method of inputting “*liner panel*” in VPCCommand to insure you receive the proper trim is to *input it as the “Main Liner Definition”*. Inputting your liner at the “Insert a New Liner Definition” liner will not provide trim.

The below VPCCommand screens show what happens when the different levels are used. *Figure 1* shows the *correct results* (all applicable trim provided) when the liner is input as “*Main Liner definition*” while *figure 2* shows no trim being provided when the “New Liner Definition” is used.



Trim Conditions

Revised	Type	Color	Start D
1	No	Jamb Liner Trim	Match Wall Color 7/6/0
2	No	Jamb Liner Trim	Match Wall Color 17/6/0
3	No	Inside Corner Liner Trim	Match Wall Color 0/0/0
4	No	Partial Ht Liner Trim	Match Wall Color 0/0/0
5	No	Partial Ht Liner Trim	Match Wall Color 17/6/0
6	No	Inside Corner Liner Trim	Match Wall Color 100/0/0
7	No	Base Liner Trim	Match Wall Color 0/0/0
8	No	Base Liner Trim	Match Wall Color 17/6/0
9	No	Frame Liner Trim	Match Wall Color 1/0/0
10	No	Frame Liner Trim	Match Wall Color 25/0/0
11	No	Frame Liner Trim	Match Wall Color 50/0/0
12	No	Frame Liner Trim	Match Wall Color 75/0/0
13	No	Frame Liner Trim	Match Wall Color 99/0/0

figure 1

Trim Conditions

Revised	Type	Color	Start Dim.	Start Elev.	Stop I
1	No	Trim Not Applicable	Not Applicable	82/6/0	0/0/0 0/0/0
2	No	Trim Not Applicable	Not Applicable	92/6/0	0/0/0 0/0/0
3	No	Trim Not Applicable	Match Wall Color	0/0/0	0/0/0 0/0/0
4	No	Trim Not Applicable	Match Wall Color	100/0/0	0/0/0 0/0/0
5	No	Trim Not Applicable	Not Applicable	0/0/0	0/0/0 82/6/0
6	No	Trim Not Applicable	Not Applicable	92/6/0	0/0/0 7/6/0

figure 2