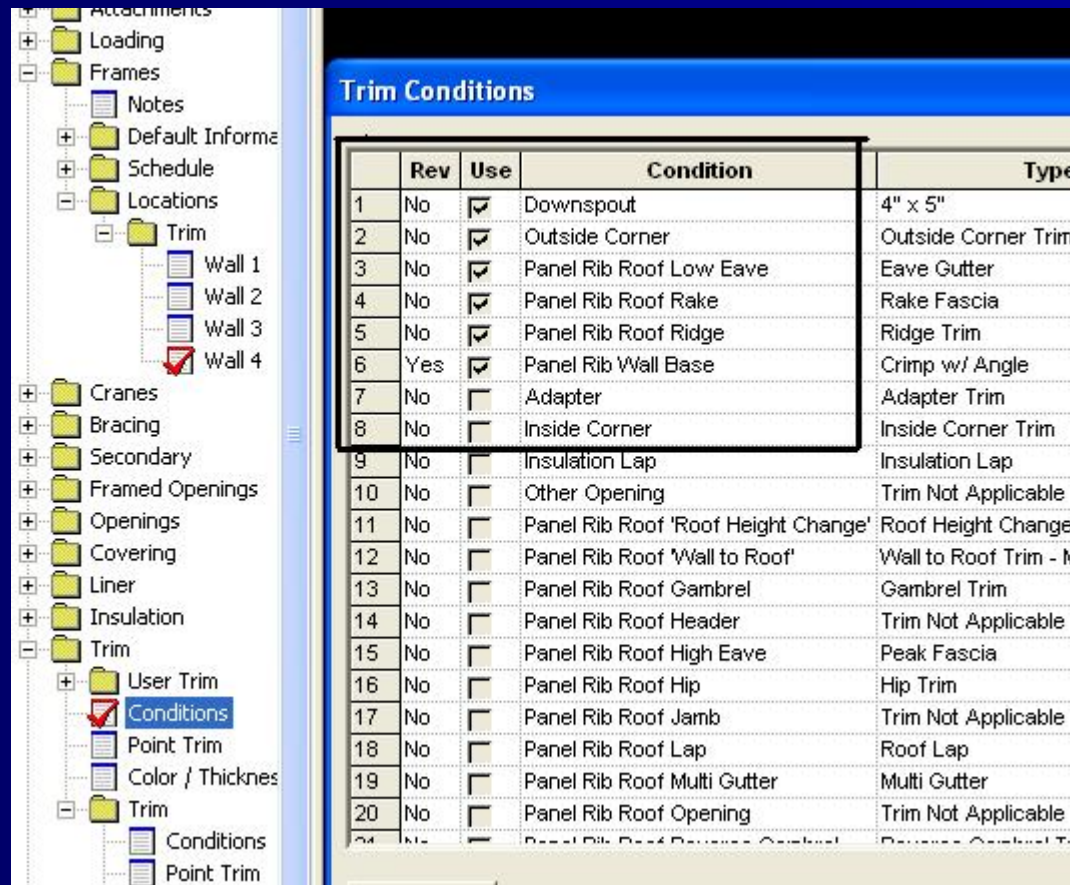




# Trim Conditions



# VPC Trim Screen



The screenshot displays the VPC Trim Screen software interface. On the left is a file tree with folders such as Attachments, Loading, Frames, Notes, Default Information, Schedule, Locations, Cranes, Bracing, Secondary, Framed Openings, Openings, Covering, Liner, Insulation, and Trim. The 'Trim' folder is expanded, showing sub-items like Wall 1 through Wall 4, User Trim, Conditions, Point Trim, and Color / Thickness.

On the right, a 'Trim Conditions' table is displayed, listing various conditions and their associated types. The table has columns for Rev, Use, Condition, and Type. A black box highlights rows 1 through 8 of the table.

Rev	Use	Condition	Type	
1	No	<input checked="" type="checkbox"/>	Downspout	4" x 5"
2	No	<input checked="" type="checkbox"/>	Outside Corner	Outside Corner Trim
3	No	<input checked="" type="checkbox"/>	Panel Rib Roof Low Eave	Eave Gutter
4	No	<input checked="" type="checkbox"/>	Panel Rib Roof Rake	Rake Fascia
5	No	<input checked="" type="checkbox"/>	Panel Rib Roof Ridge	Ridge Trim
6	Yes	<input checked="" type="checkbox"/>	Panel Rib Wall Base	Crimp w/ Angle
7	No	<input type="checkbox"/>	Adapter	Adapter Trim
8	No	<input type="checkbox"/>	Inside Corner	Inside Corner Trim
9	No	<input type="checkbox"/>	Insulation Lap	Insulation Lap
10	No	<input type="checkbox"/>	Other Opening	Trim Not Applicable
11	No	<input type="checkbox"/>	Panel Rib Roof 'Roof Height Change'	Roof Height Change
12	No	<input type="checkbox"/>	Panel Rib Roof 'Wall to Roof'	Wall to Roof Trim - M
13	No	<input type="checkbox"/>	Panel Rib Roof Gambrel	Gambrel Trim
14	No	<input type="checkbox"/>	Panel Rib Roof Header	Trim Not Applicable
15	No	<input type="checkbox"/>	Panel Rib Roof High Eave	Peak Fascia
16	No	<input type="checkbox"/>	Panel Rib Roof Hip	Hip Trim
17	No	<input type="checkbox"/>	Panel Rib Roof Jamb	Trim Not Applicable
18	No	<input type="checkbox"/>	Panel Rib Roof Lap	Roof Lap
19	No	<input type="checkbox"/>	Panel Rib Roof Multi Gutter	Multi Gutter
20	No	<input type="checkbox"/>	Panel Rib Roof Opening	Trim Not Applicable
21	No	<input type="checkbox"/>	Panel Rib Roof Downspout Contact	Downspout Contact Tr

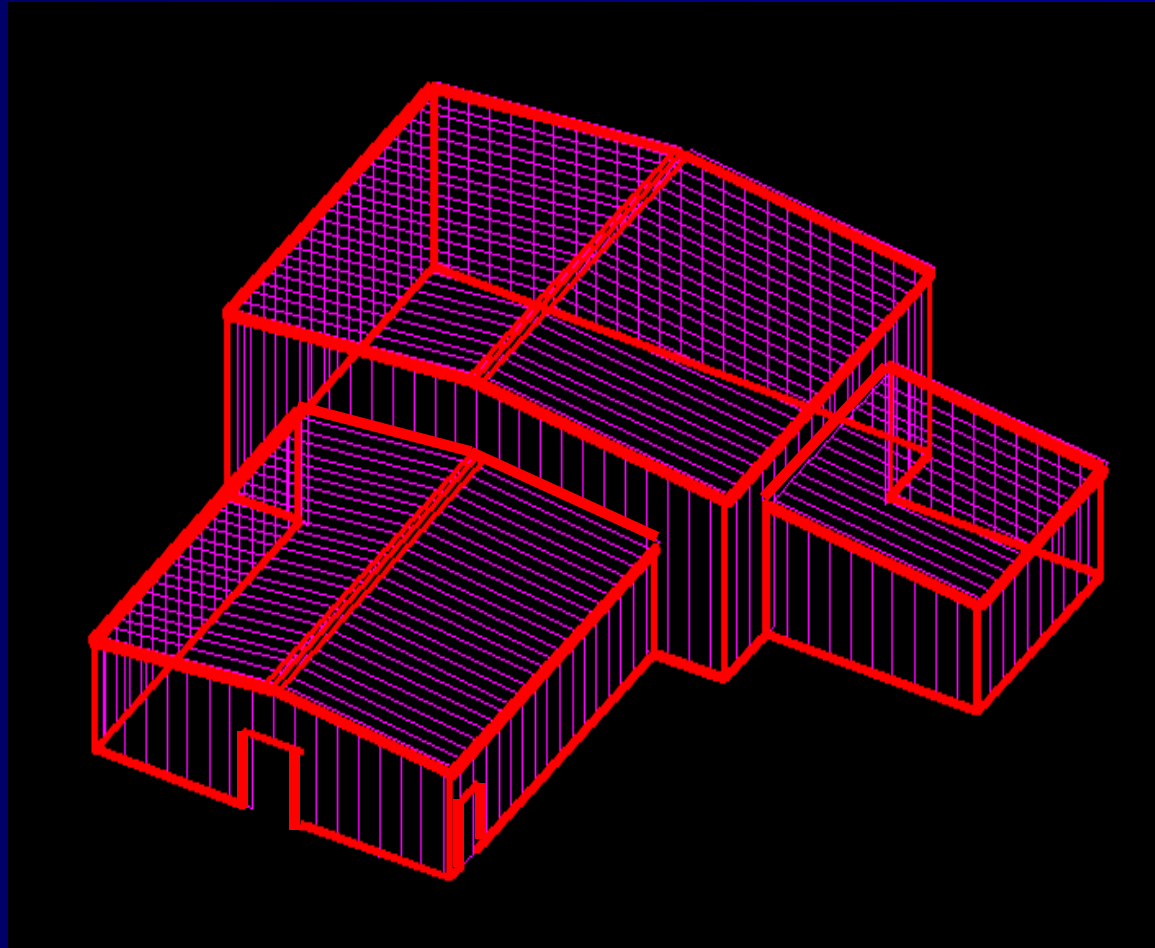


# Trim

- 26 gage standard
- KXL finish standard
- Matte Black is only a trim color not a wall color.
- Fasteners are color matched to trim or wall color.

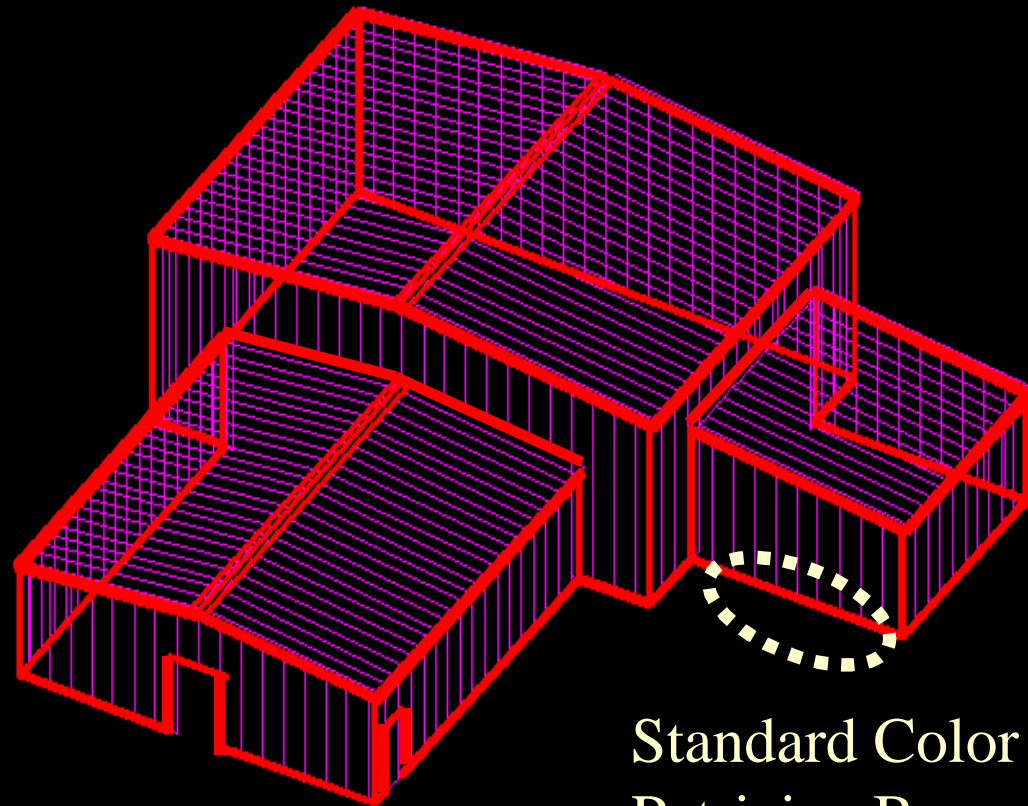


# Trim





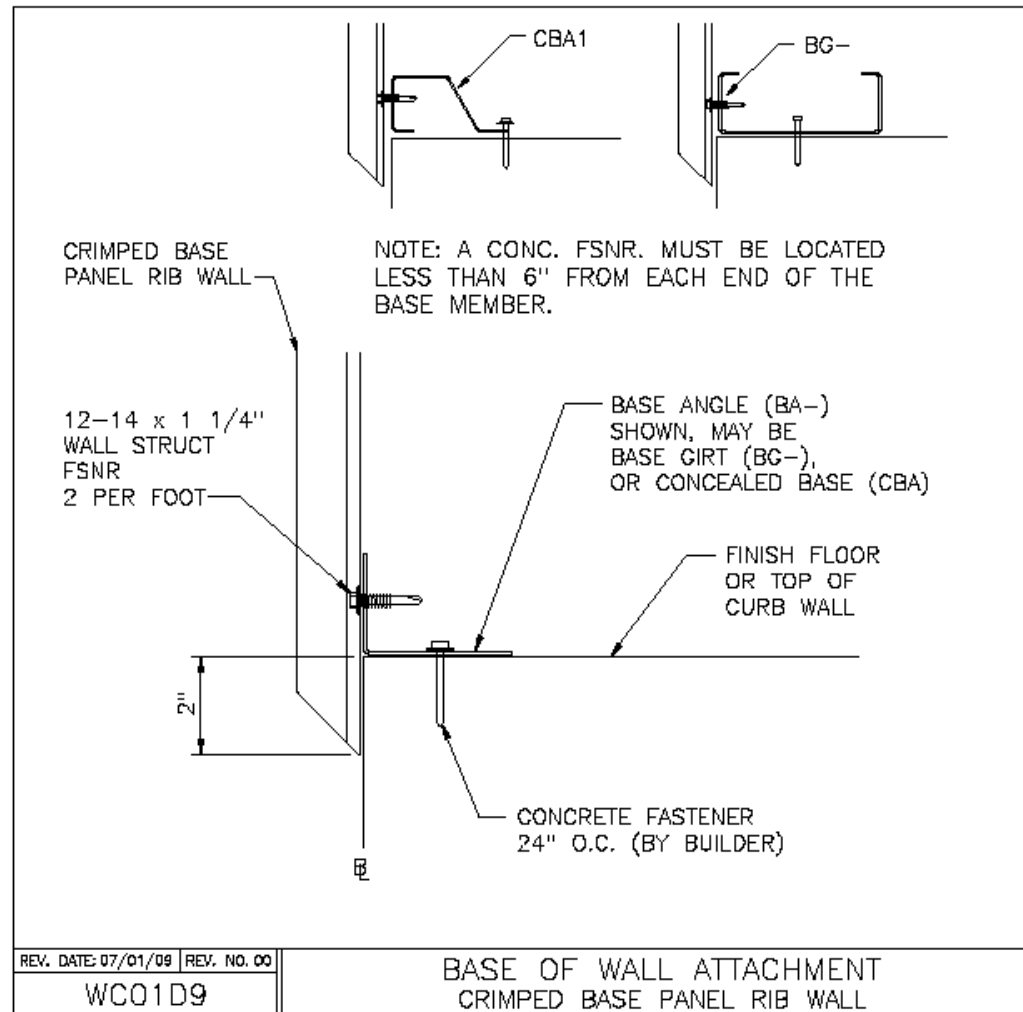
# Base Trim



Standard Color –  
Patrician Bronze



# PR Crimped Base (PR wall Only)



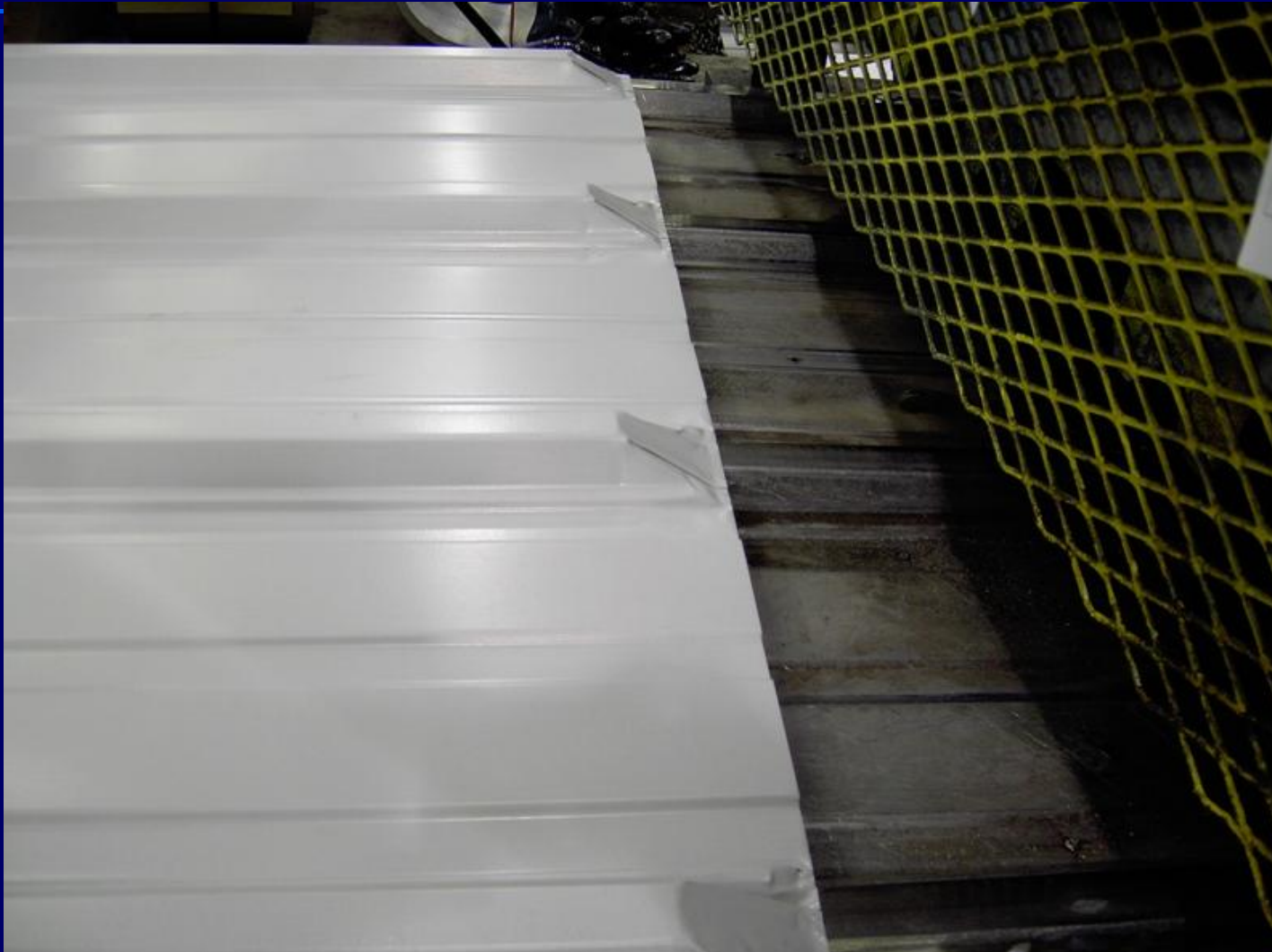


# Crimped Base Panel Rib





# Crimped Base Panel Rib

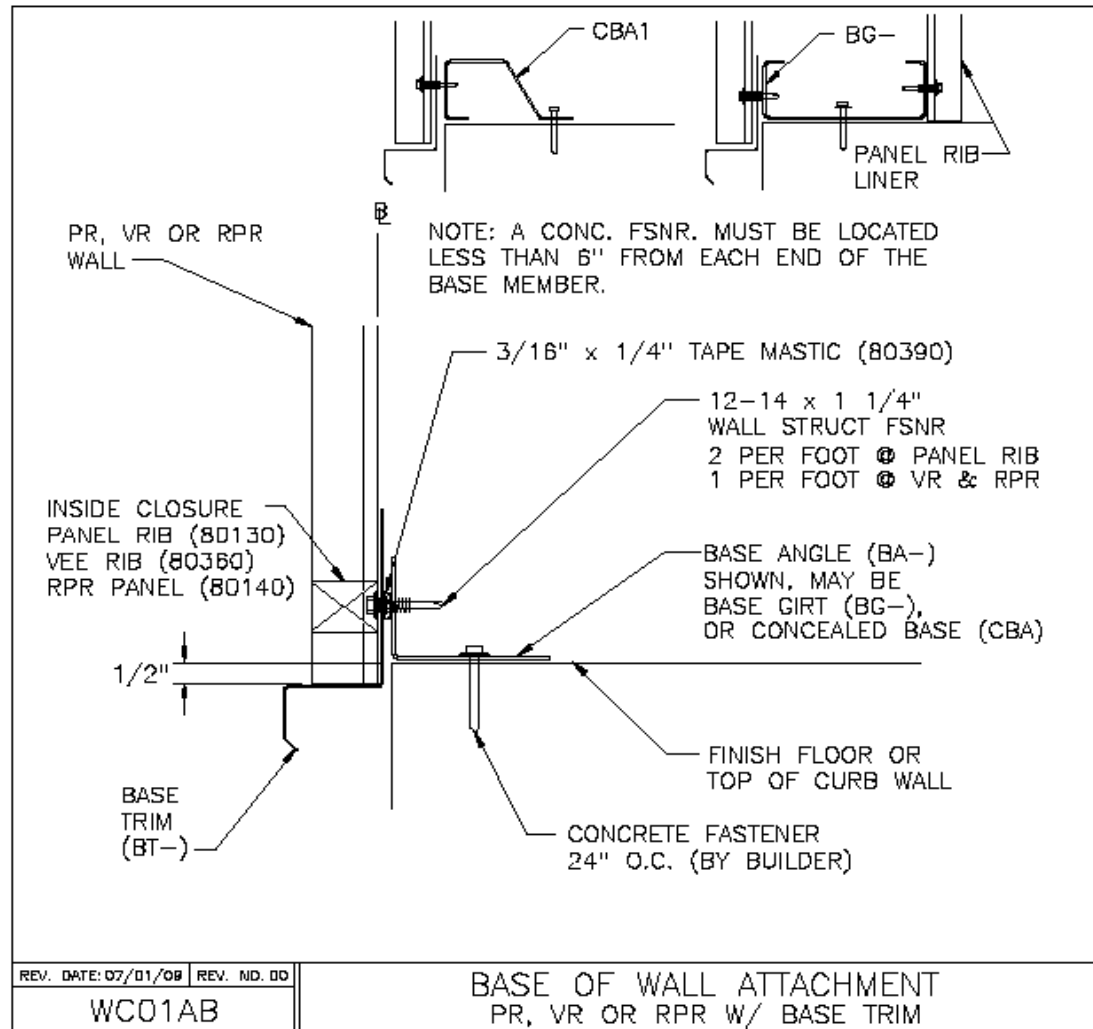




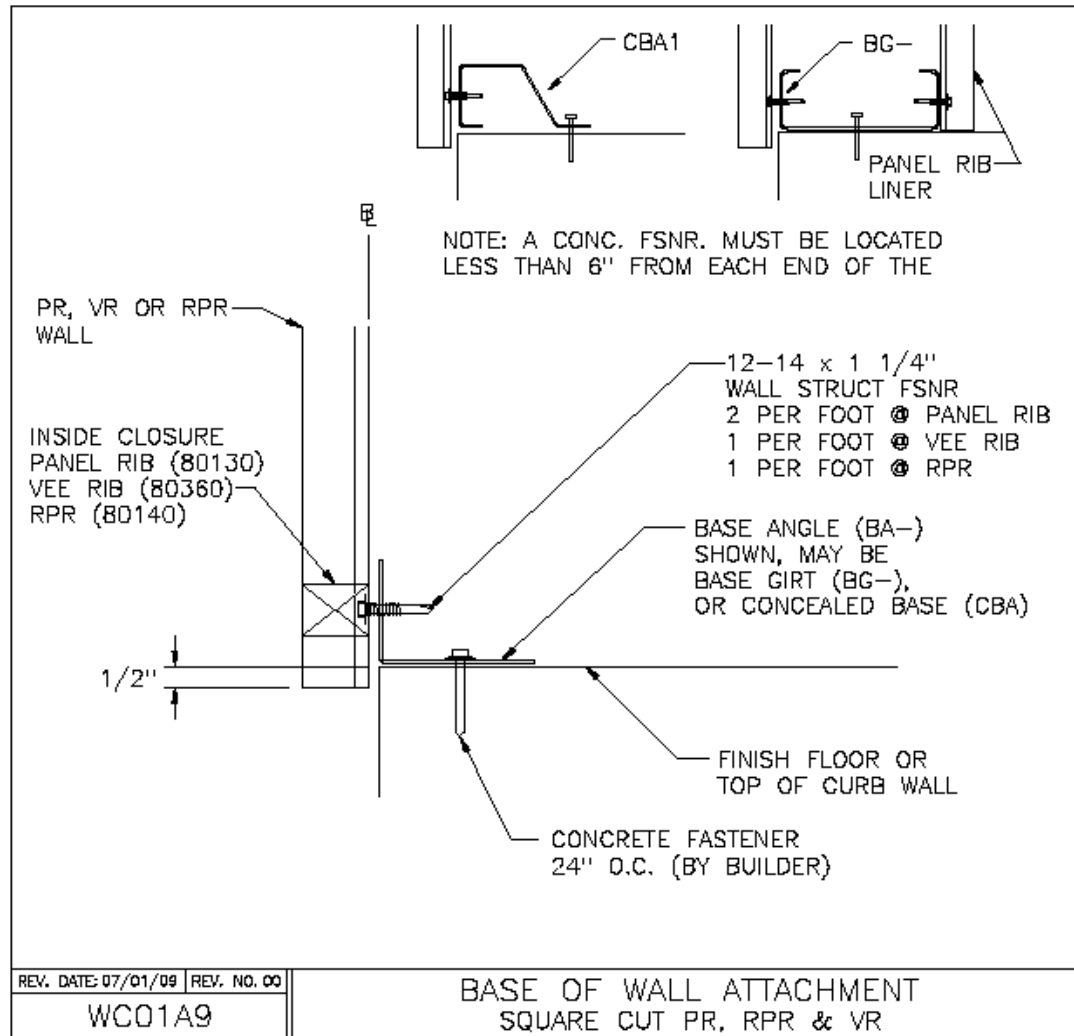
# PR Crimped Base



# PR Sq. Cut with Base Trim

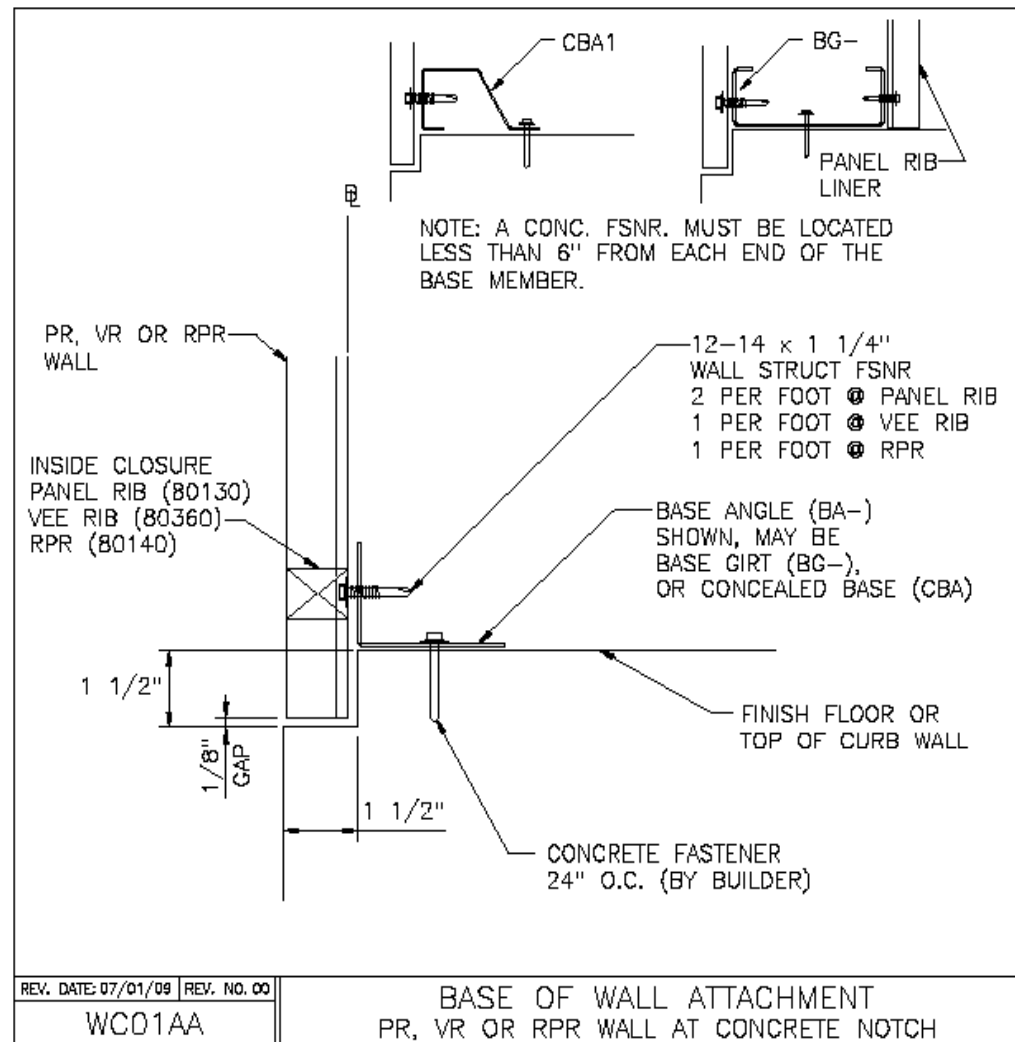


# PR Sq. Cut With Closures





# Sq. Cut Base with Concrete Notch





# PR Special Base Trim





# Vee Rib Base



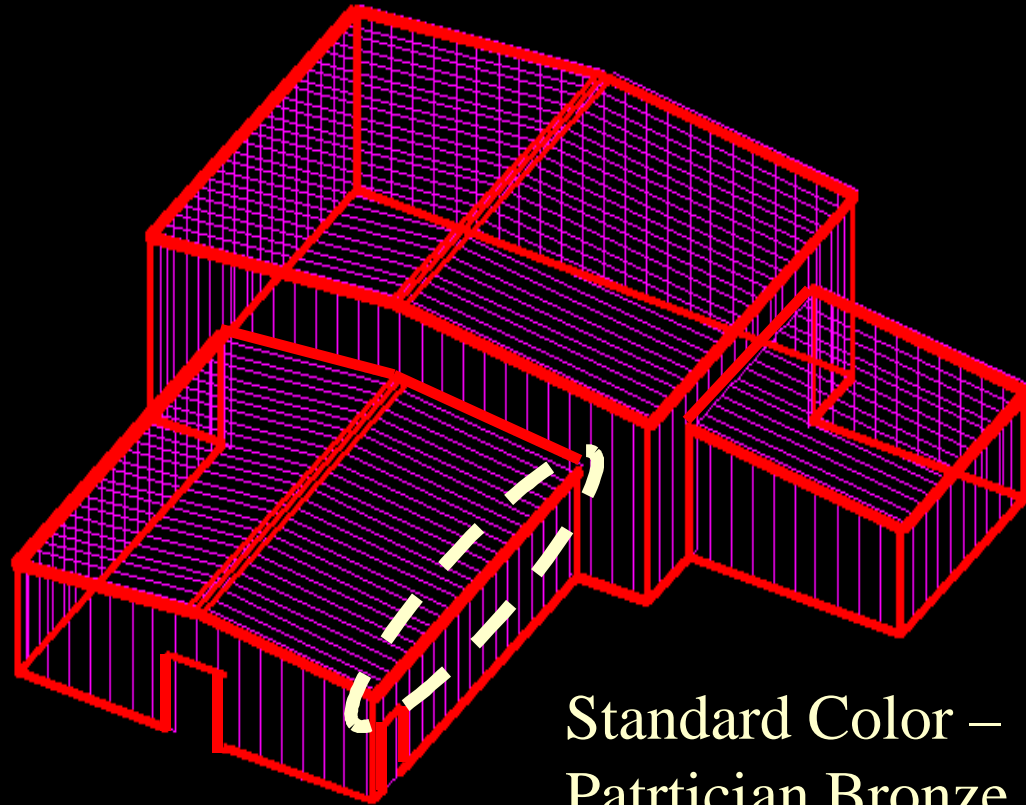


# Vee Rib Base





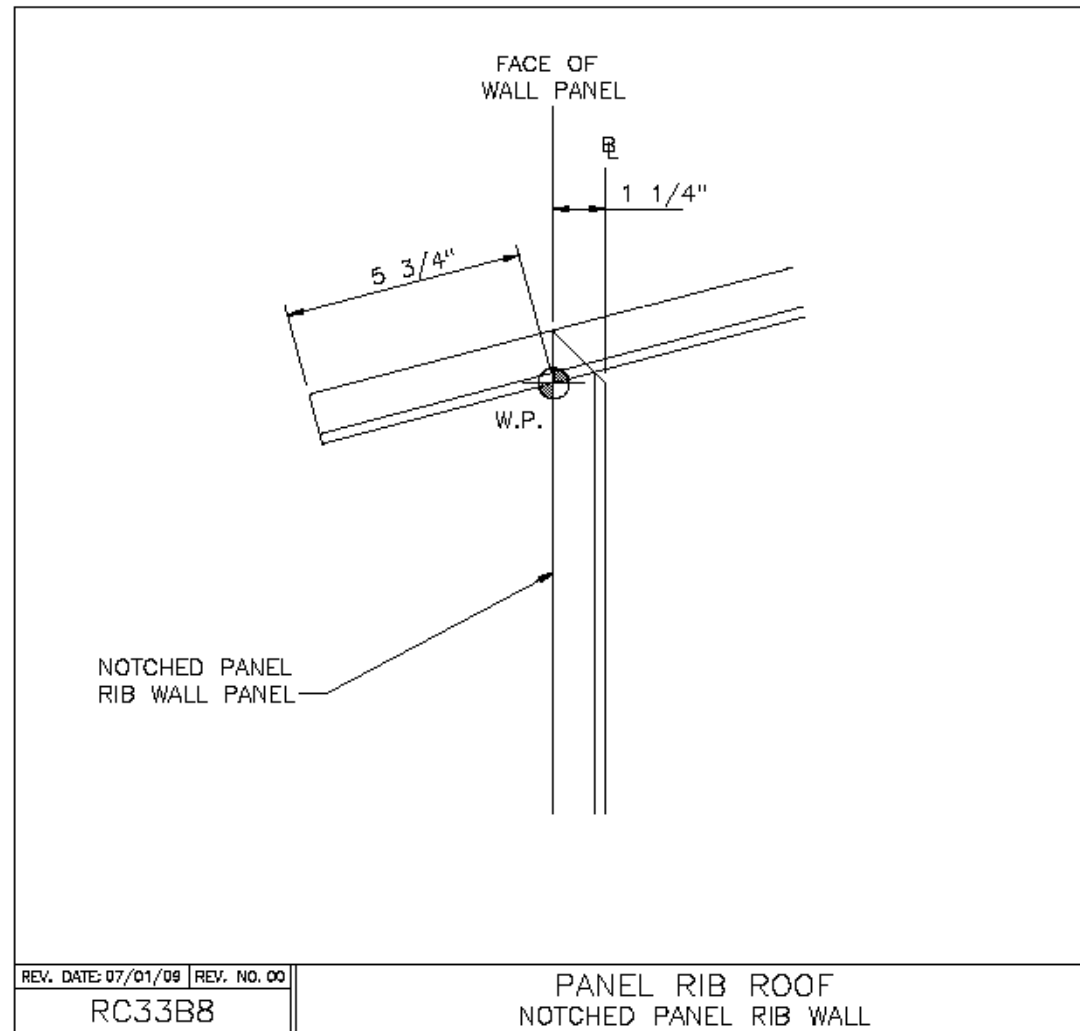
# Eave Trim



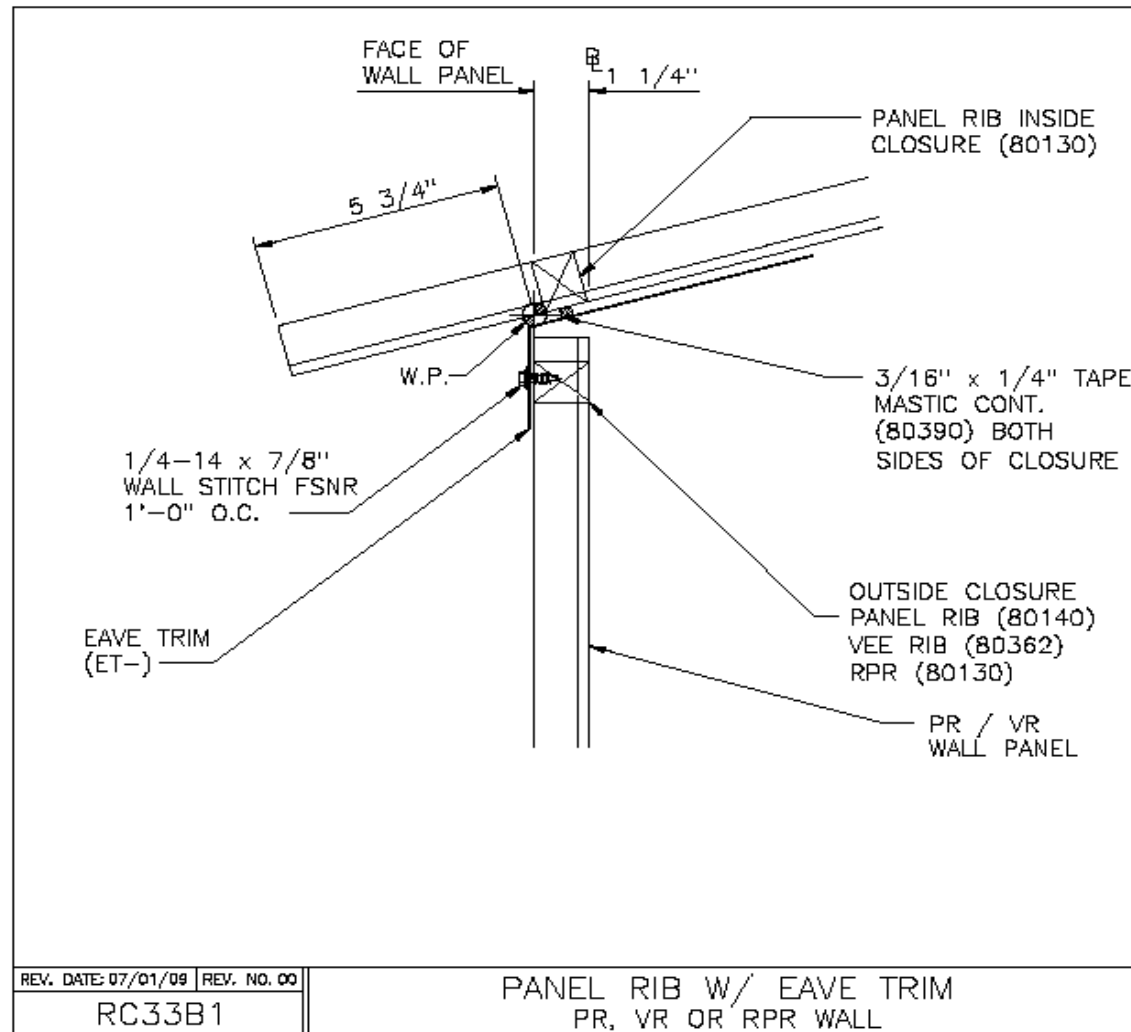
Standard Color –  
Patrtician Bronze



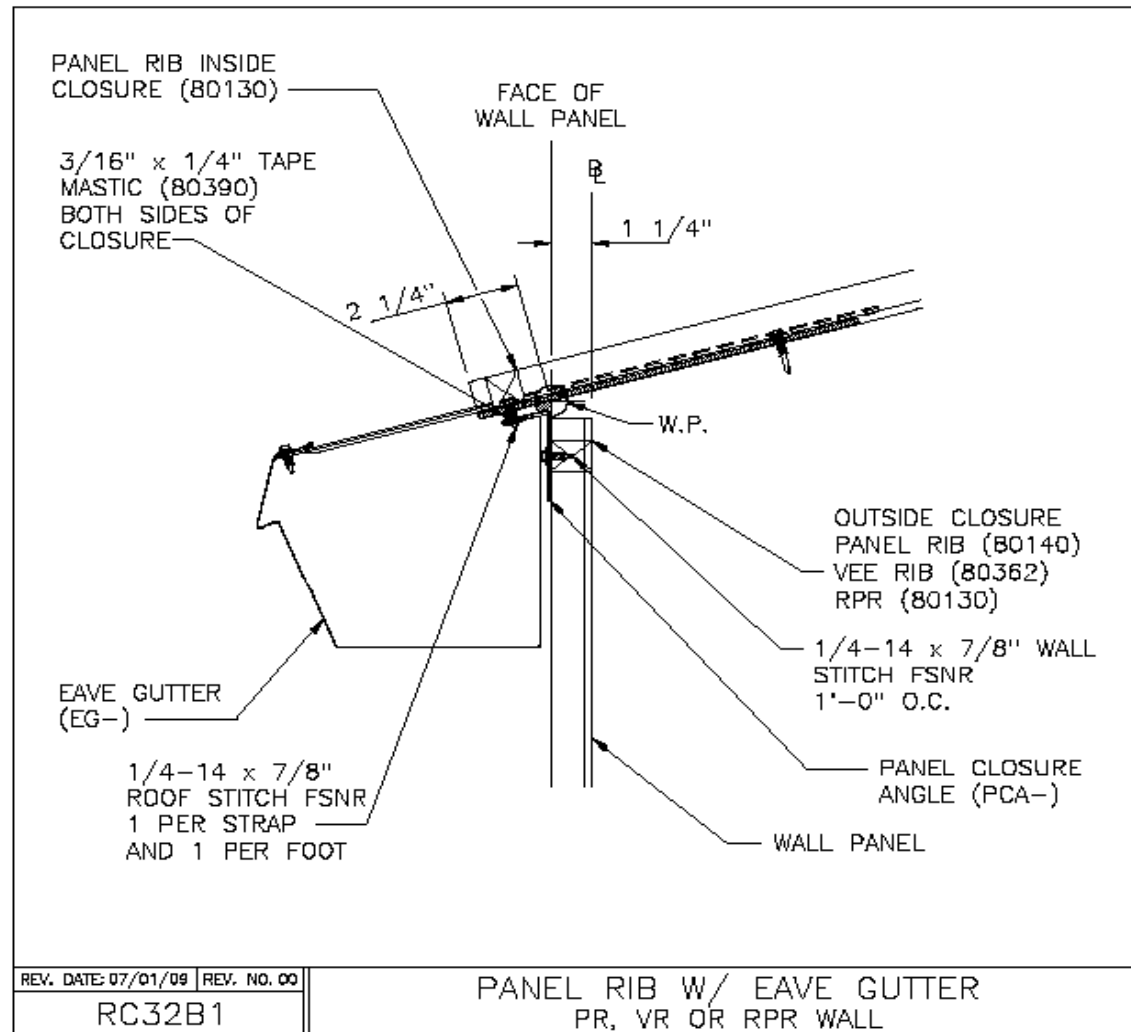
# Notched Eave (PR/PR Only)



# Eave Trim (PR Shown, VR Similar)



# Eave Gutter – PR Roof

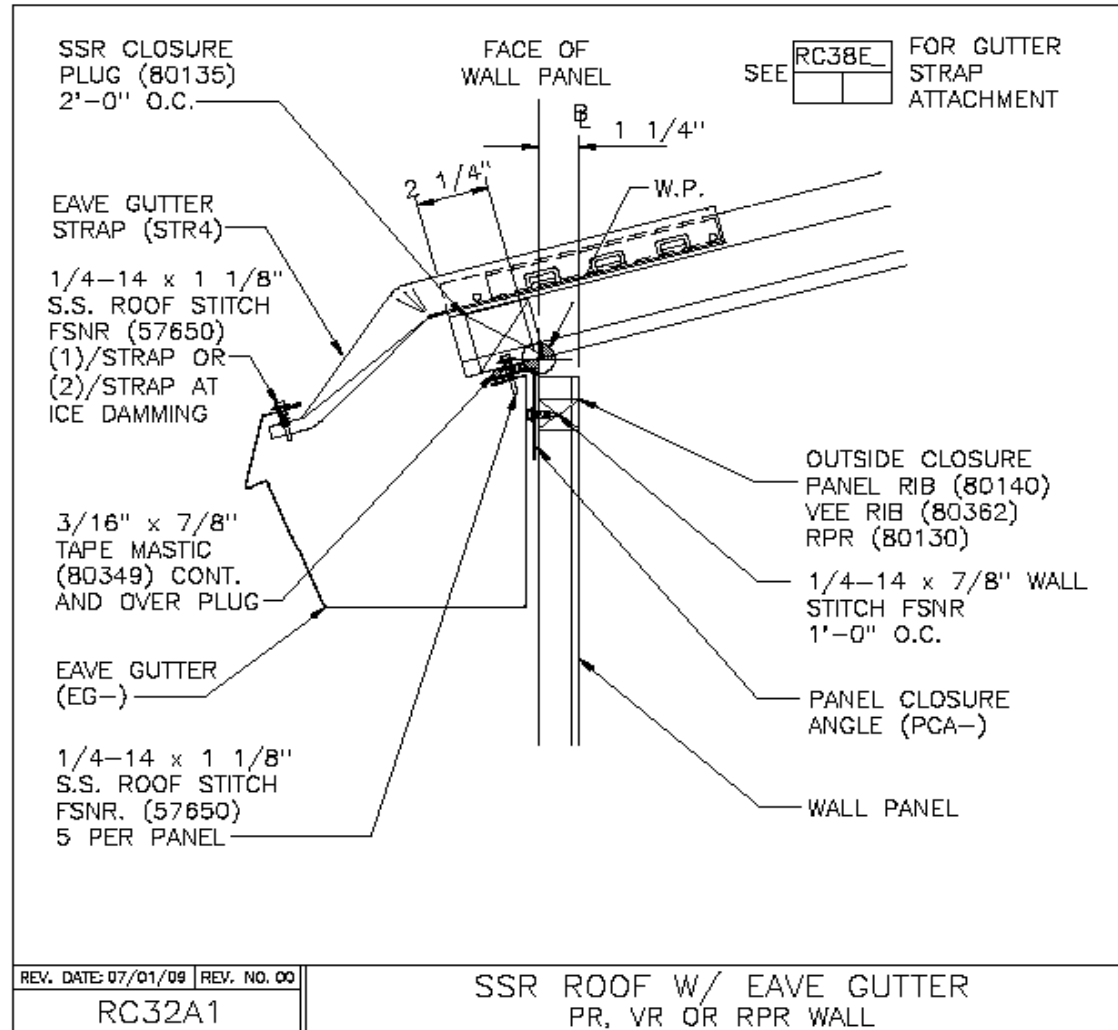




# Eave Gutter



# Eave Gutter - SSR



# Eave Gutter – SLR II

SEE DWG S-081010 AND S-080987  
FOR GUTTER INSTALLATION

ALWAYS APPLY A BEAD OF PANLASTIC (560564) 3/16" DIA. TAPE  
CUT TO REQUIRED LENGTH, UP AND OVER MALE RIB BETWEEN  
ADJACENT PANELS

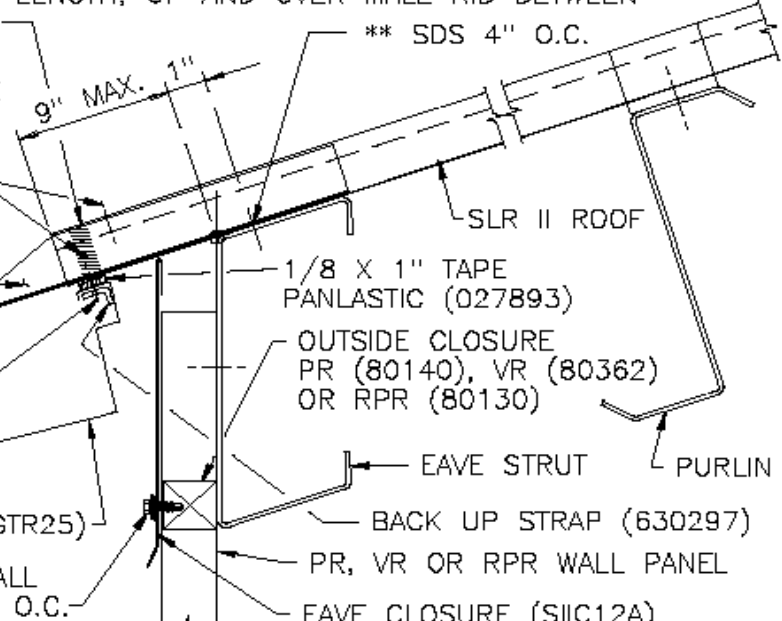
1/4 X 1 1/4" HEX  
HD. STD. PT. SDS  
(097230)  
(3) PER STRAP

GUTTER  
STRAP  
(GH1)

1/4 X 1 1/4"  
HEX HD. STD.  
PT. SDS  
(097230)  
4" O.C.

\* NARROW GUTTER (GTR25)

1/4-14 X 7/8" WALL  
STITCH FSNR 1'-0" O.C.



1/8 X 1" TAPE  
PANLASTIC (027893)

OUTSIDE CLOSURE  
PR (80140), VR (80362)  
OR RPR (80130)

EAVE STRUT

PURLIN

BACK UP STRAP (630297)

PR, VR OR RPR WALL PANEL

EAVE CLOSURE (SIIC12A)

\* GUTTER IS INSTALLED "IN PLANE" W/ROOF. STEEP SLOPES REQUIRE  
FIELD WORK TO UTILIZE GUTTER BETTER.

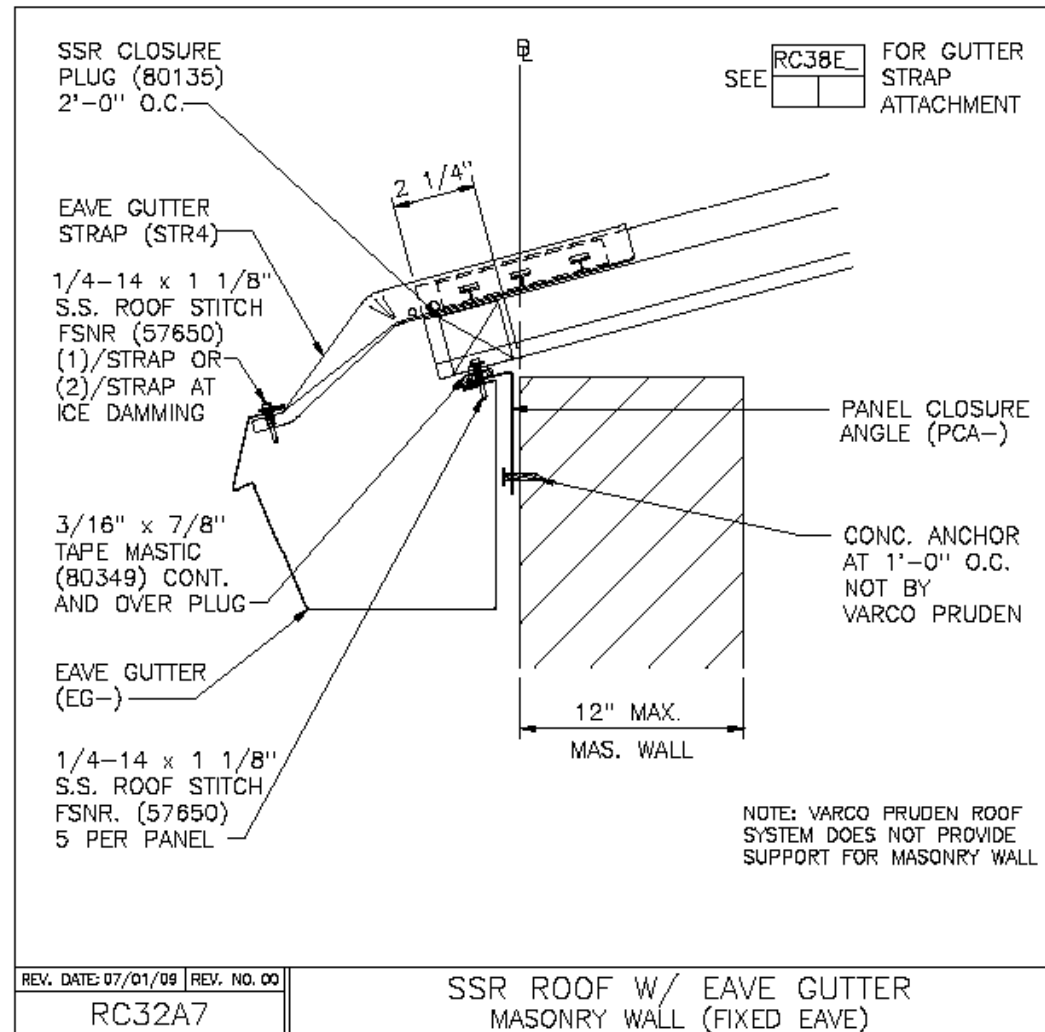
**	097357	1/4 X 7/8" HEX HD. SDS W/MINI. PT.	≤.035 THK.
	097230	1/4 X 1 1/4" HEX HD. SDS W/STD. PT.	>.035 THK.

REV. DATE: 01/22/10 REV. NO. 00

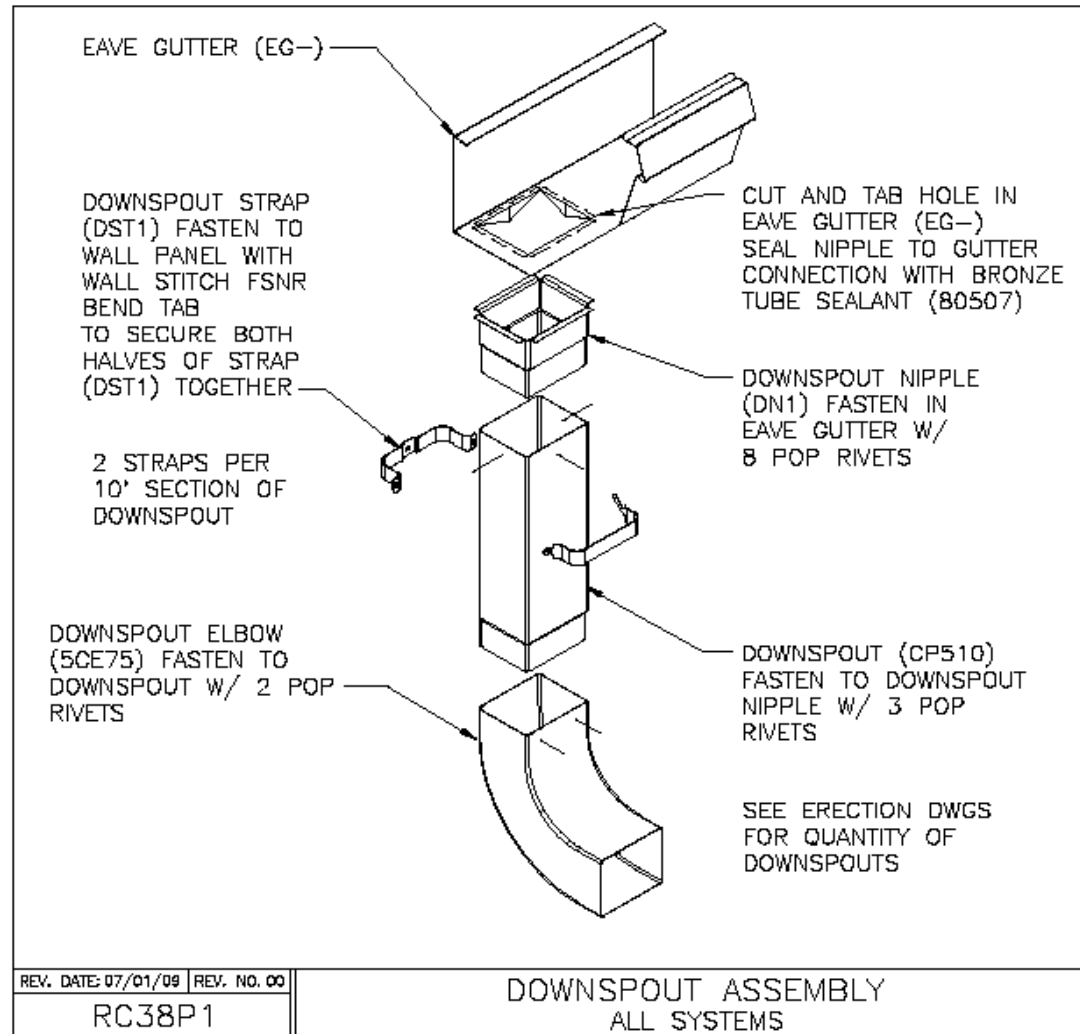
MP470

SLR II ROOF NARROW GUTTER  
WITH Z-PURLINS AND PR, VR OR RPR WALL PANEL

# Eave Gutter – SSR/Masonry



# Downspouts (Color Matches Wall Panel)





# *Downspouts*



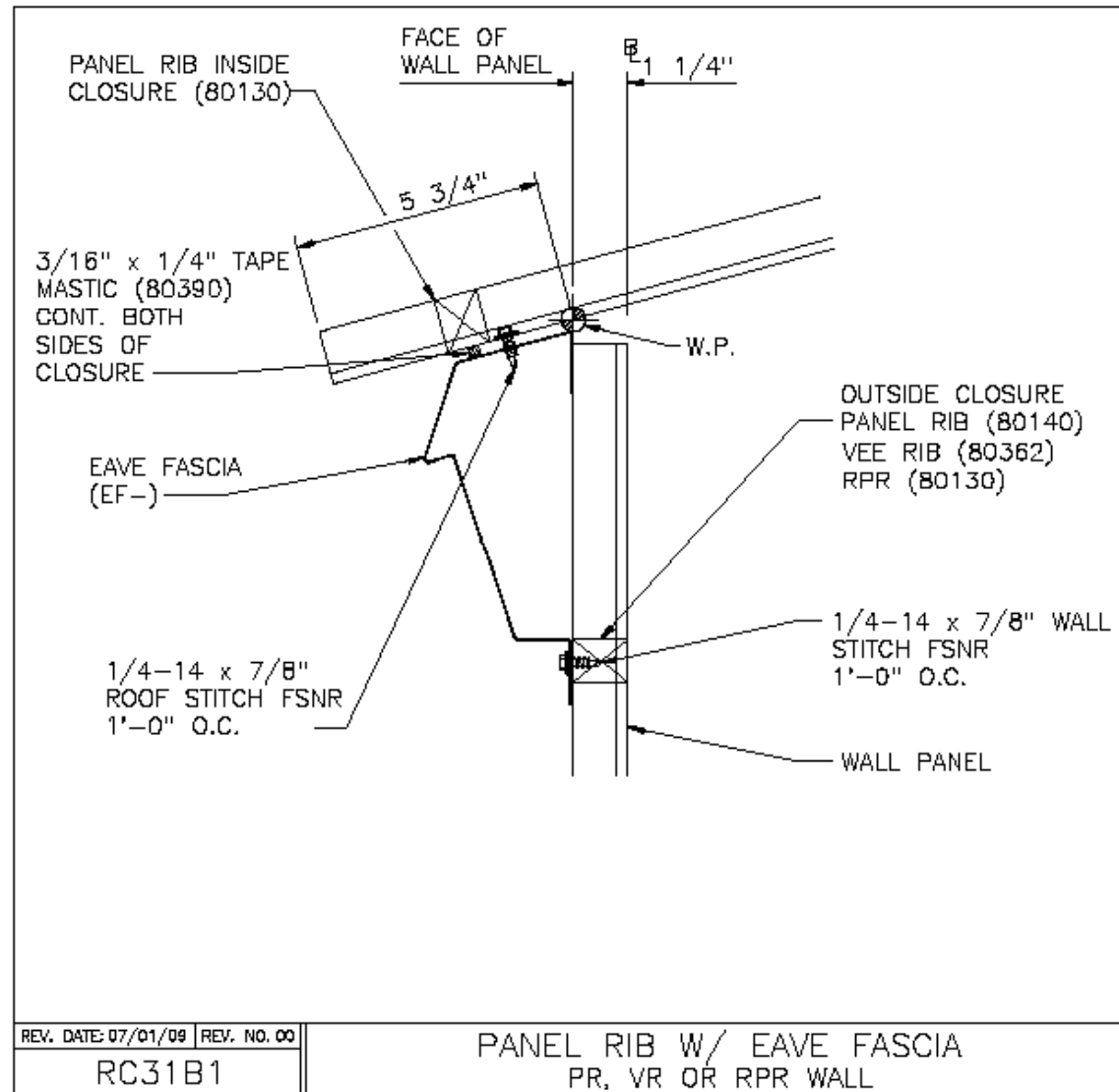


# Change Number of Downspout Runs in VPC

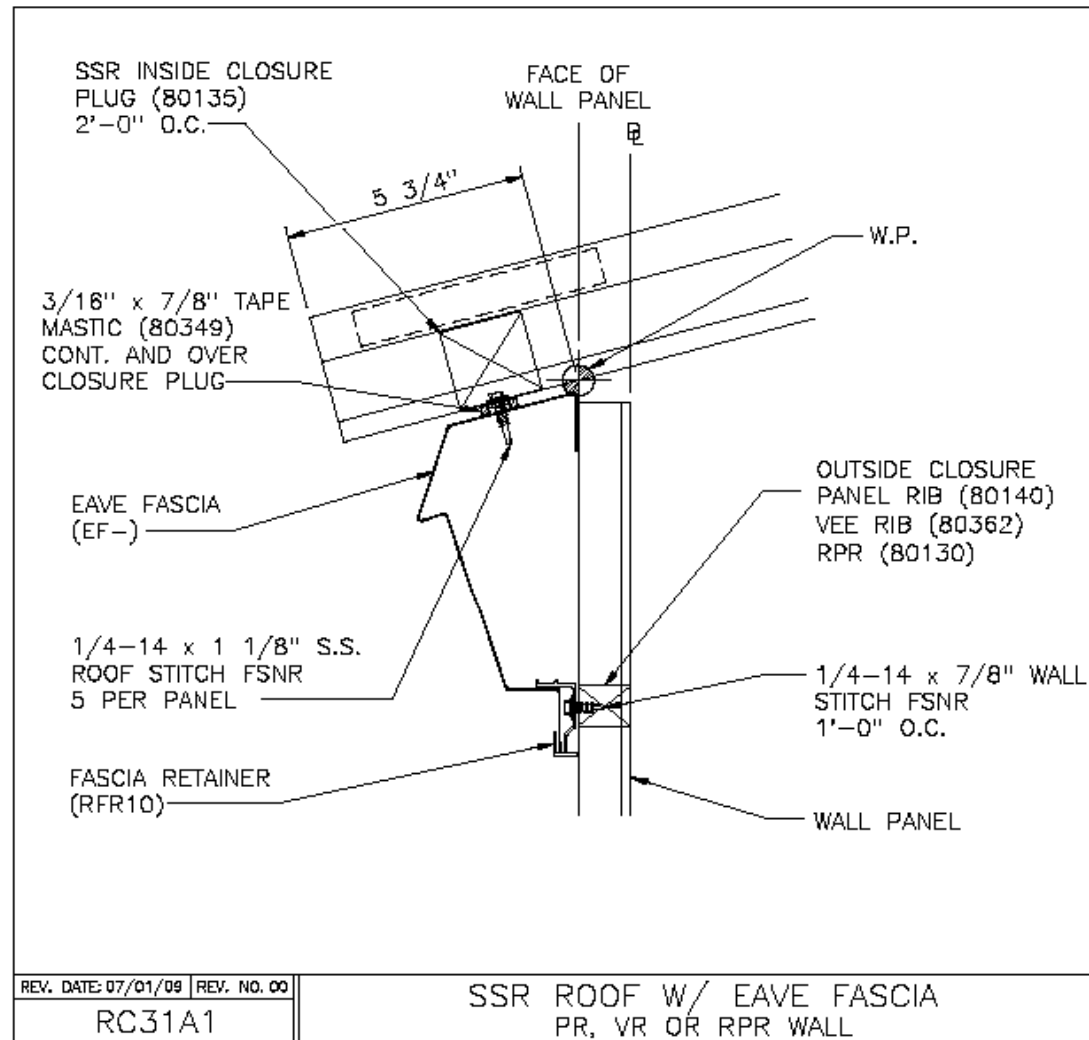
The screenshot displays the VPC software interface. On the left, a tree view shows a hierarchy of components. The 'Trim' folder is expanded, showing sub-folders for 'User Trim', 'Conditions', 'Point Trim', and 'Color / Thickness Revisions'. Below these, another 'Trim' folder is expanded, showing 'Conditions', 'Point Trim', and 'Color / Thickness Revisions'. Further down, four 'Wall' folders (Wall 1, Wall 2, Wall 3, Wall 4) are listed. Under 'Wall 4', the 'Downspout' component is selected and highlighted in blue. Below the walls are 'Roof A' and 'Roof B' folders. At the bottom of the tree are 'Liner Trim', 'Accessory', 'User Clips', and 'User Frame Parts' folders.

On the right, a dialog box titled 'Downspout Options' is open. It contains three radio button options: 'Number of Runs' (which is selected), 'Spacing Between Runs', and 'Roof Slope Length'. Below these options is a text input field containing the number '0'. At the bottom of the dialog are 'OK' and 'Cancel' buttons.

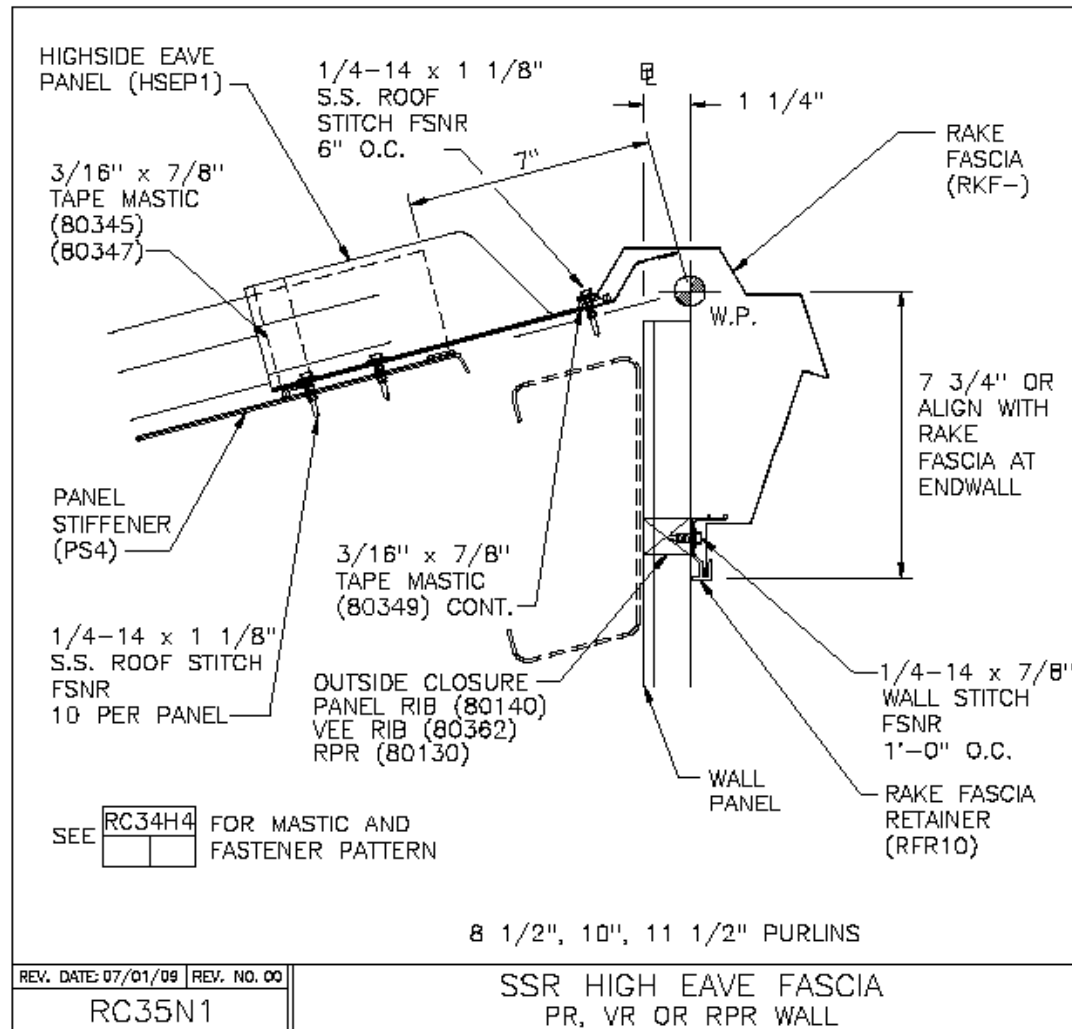
# Eave Fascia – PR Roof



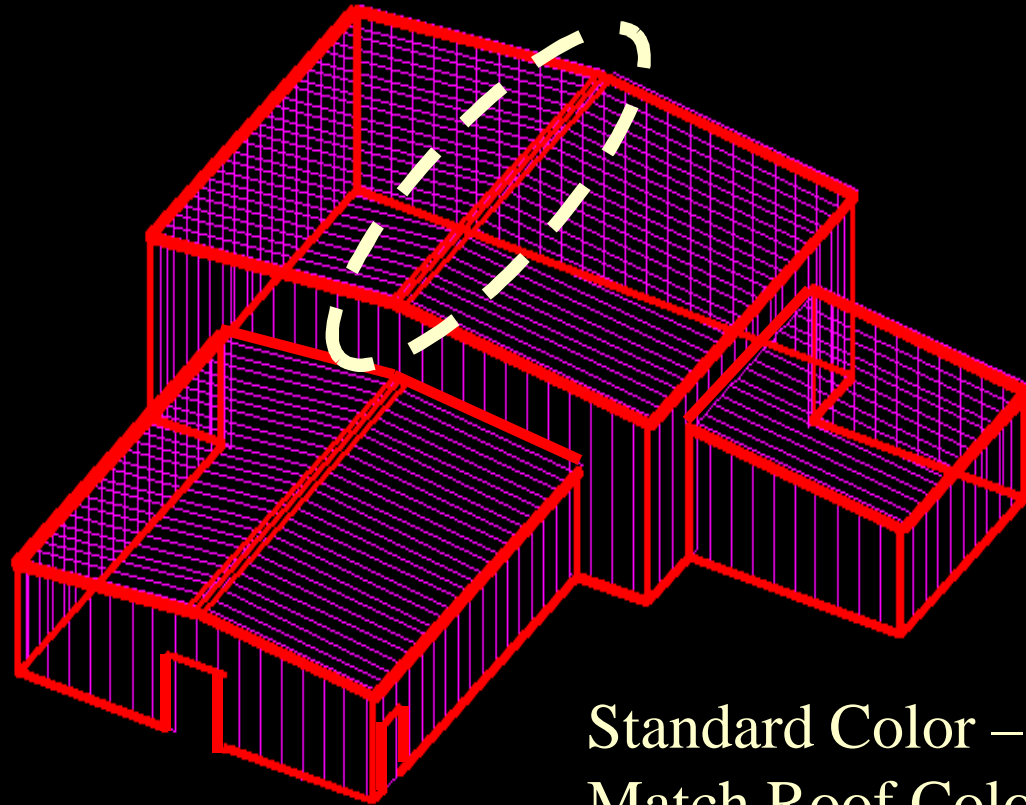
# Eave Fascia – SSR



# High Side Eave Fascia (SSR)

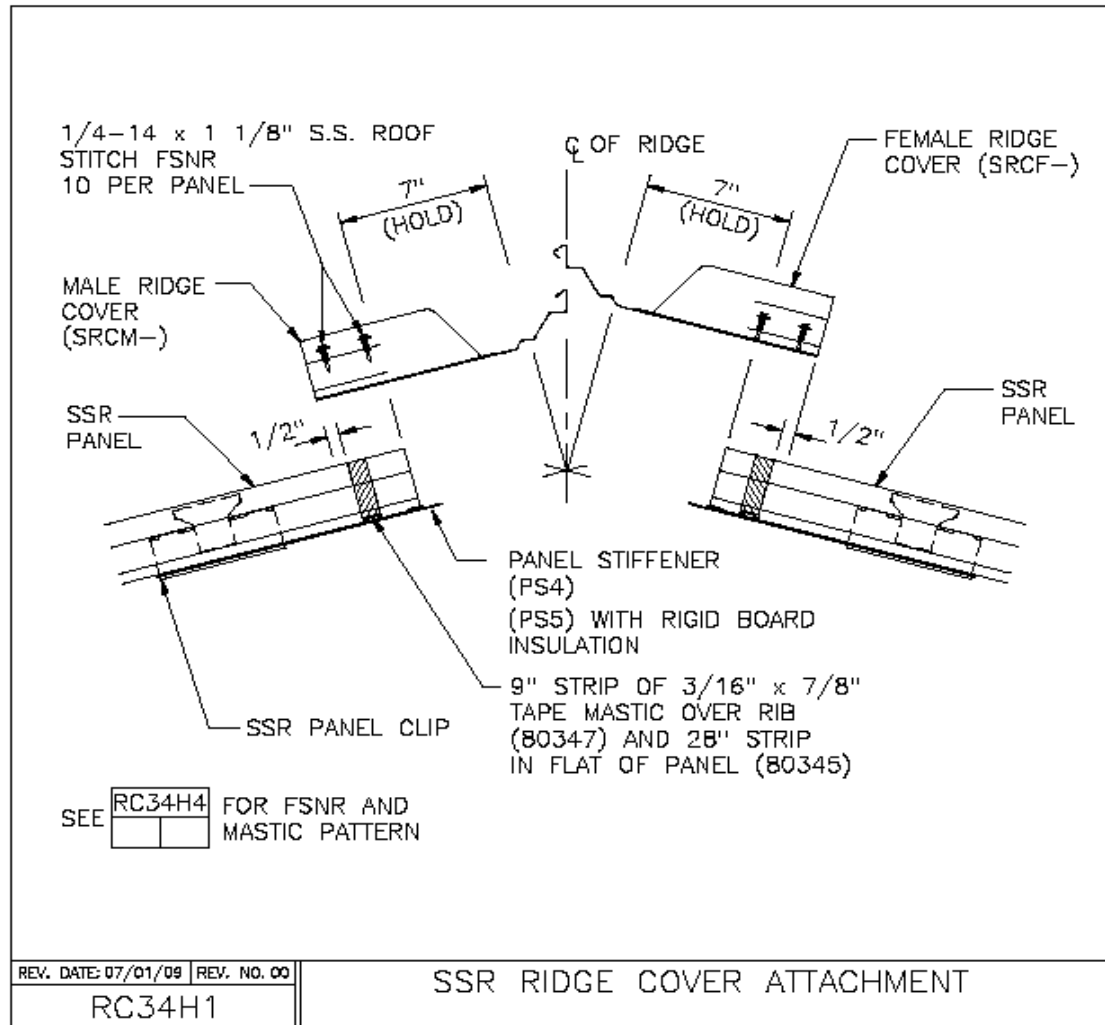


# Ridge Trim



Standard Color –  
Match Roof Color

# SSR Ridge Trim

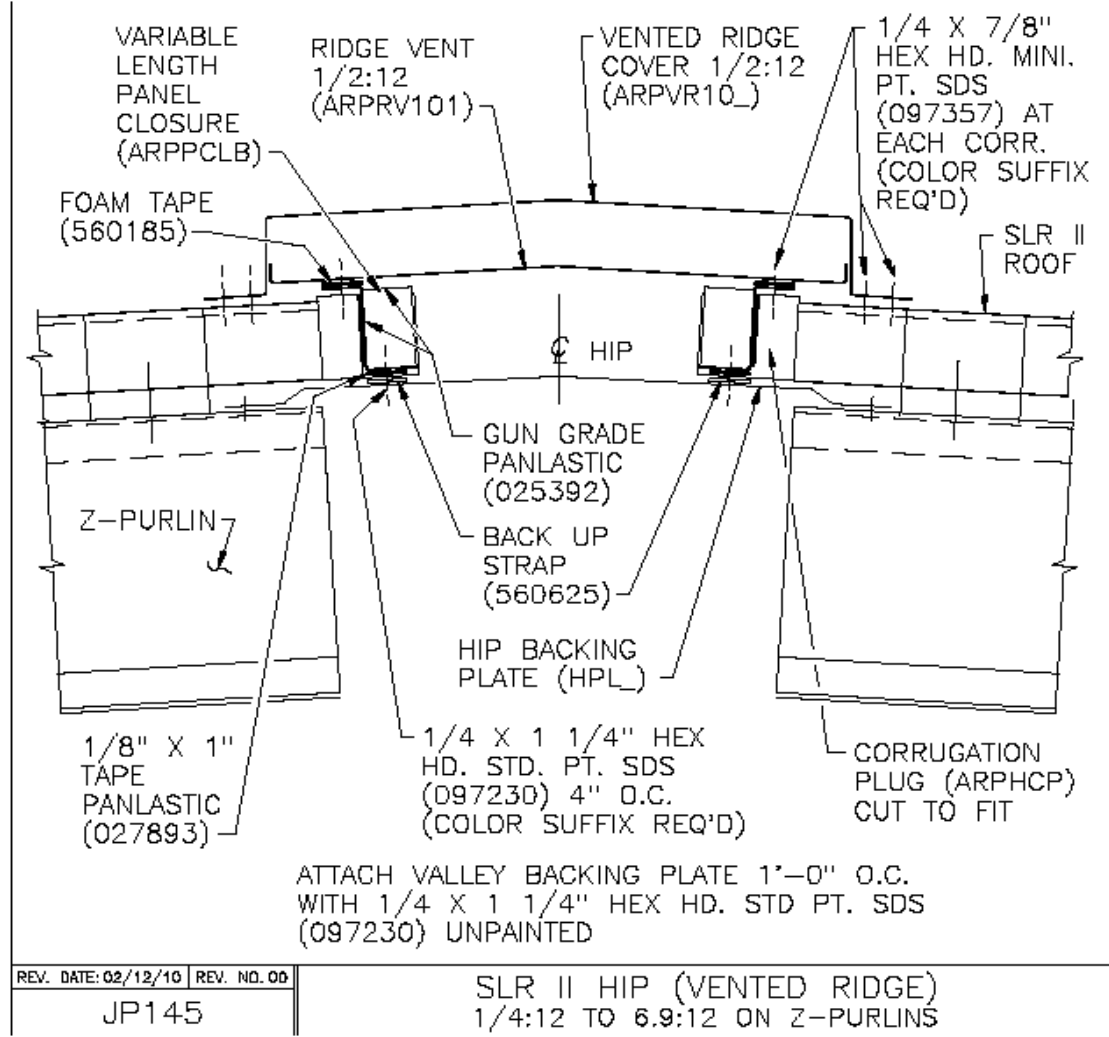




# SSR Ridge Trim

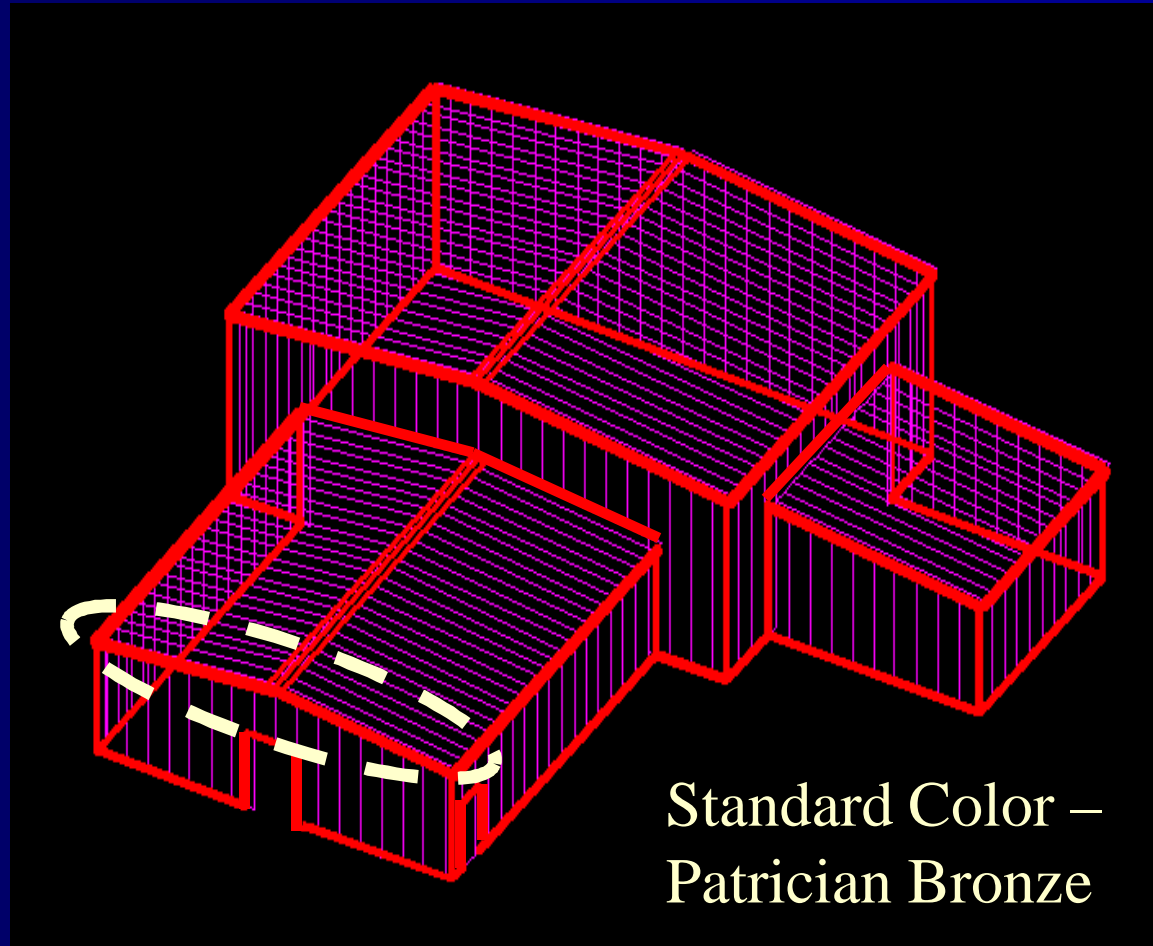


# SLR II Ridge Trim



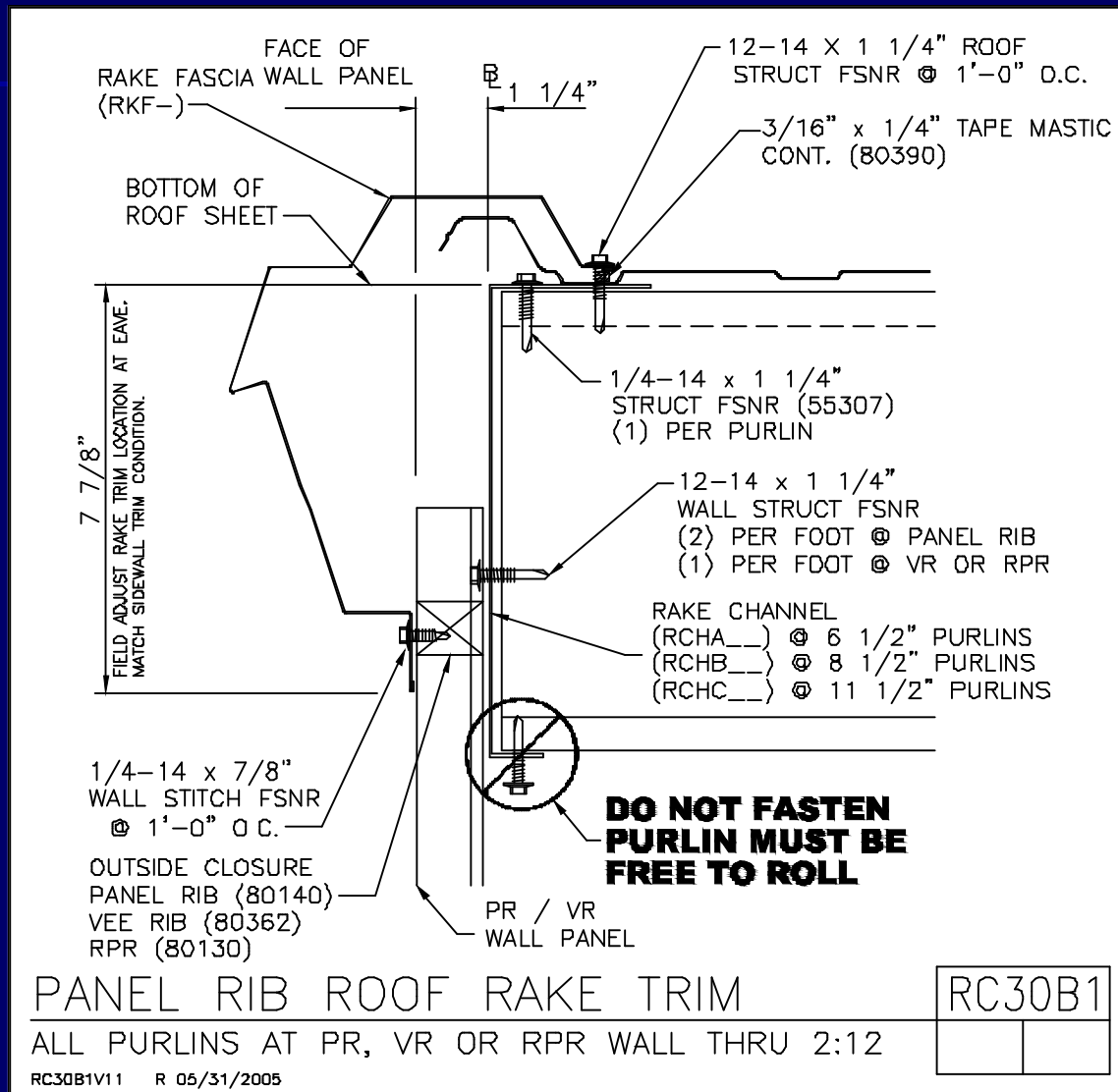


# Rake Trim

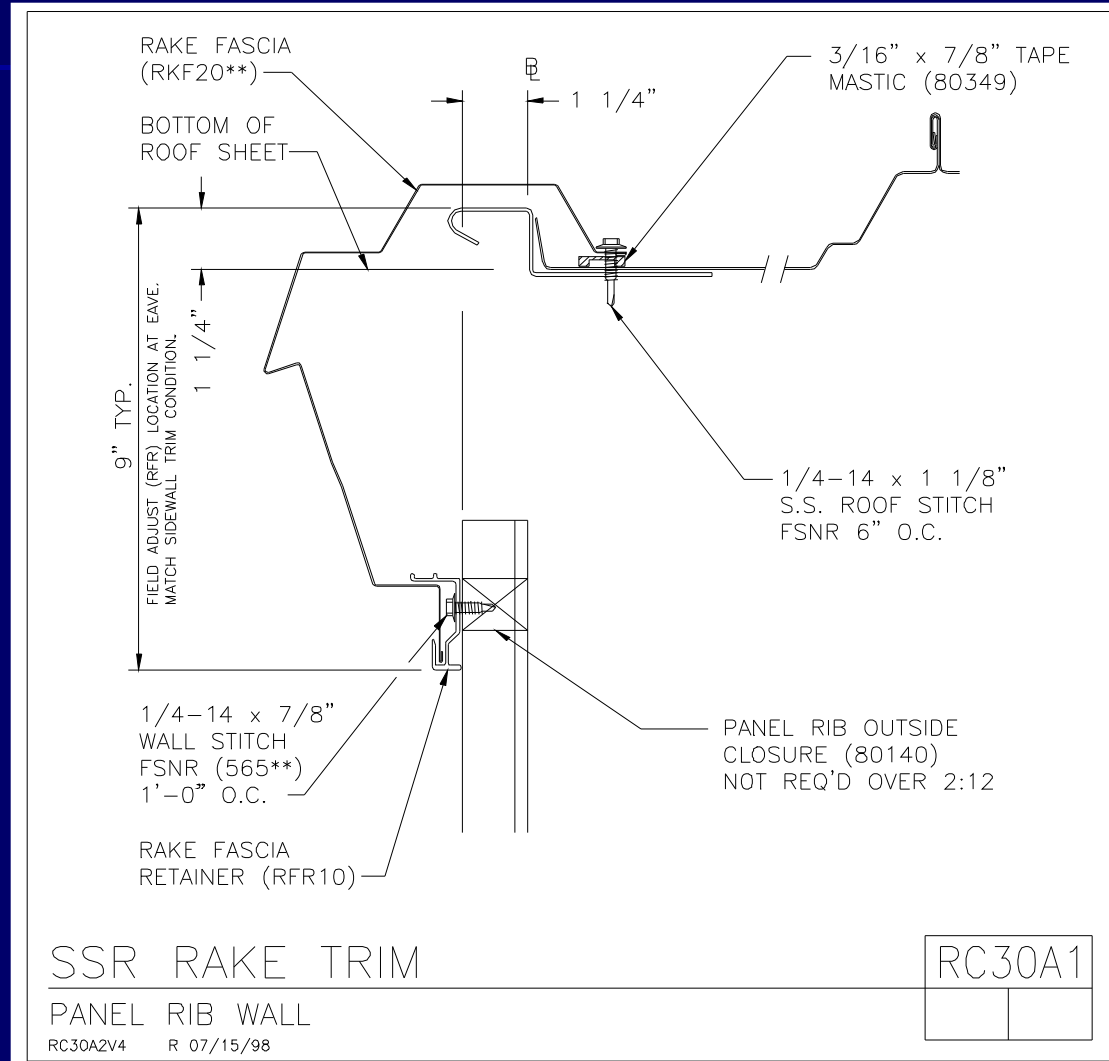


Standard Color –  
Patrician Bronze

# Rake Fascia – PR Roof

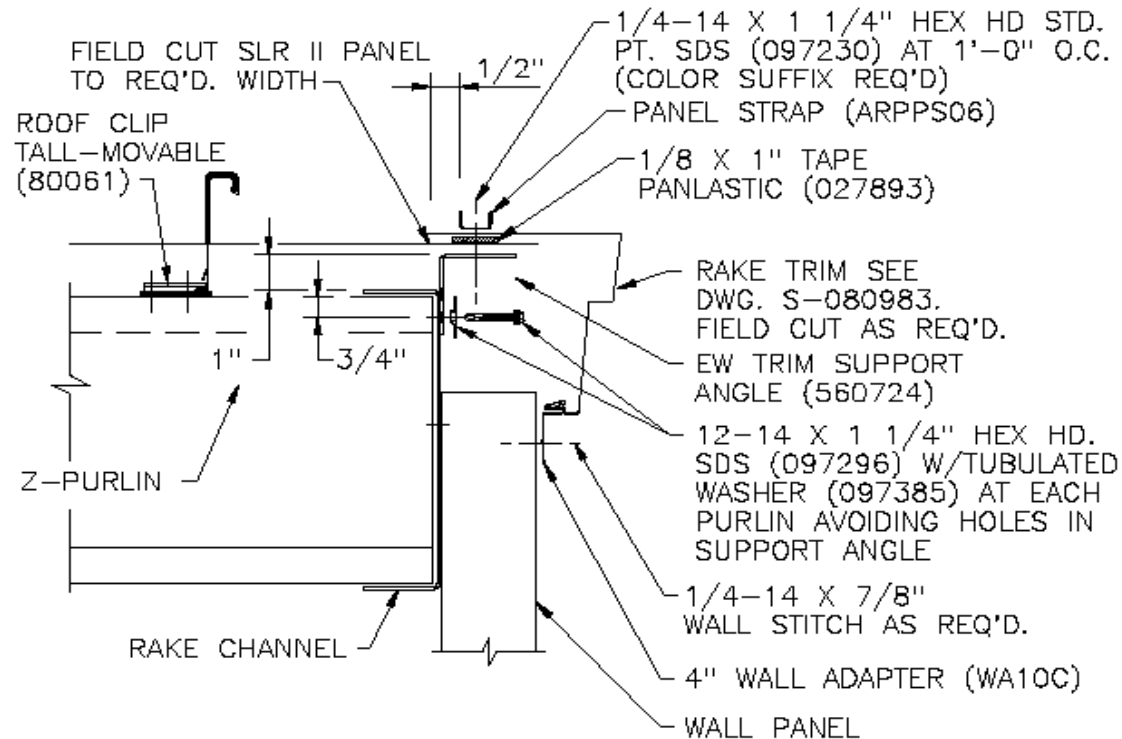


# Rake Fascia - SSR



# Rake Fascia – SLR II

SEE DRAWING S-080983 FOR RAKE TRIM INSTALLATION



NOTES:

SEE ERECTION DRAWING S-081635 IF HIGH WIND  
RAKE TRIM CLIPS ARE REQUIRED

REV. DATE: 02/12/10	REV. NO. 00
KP140	

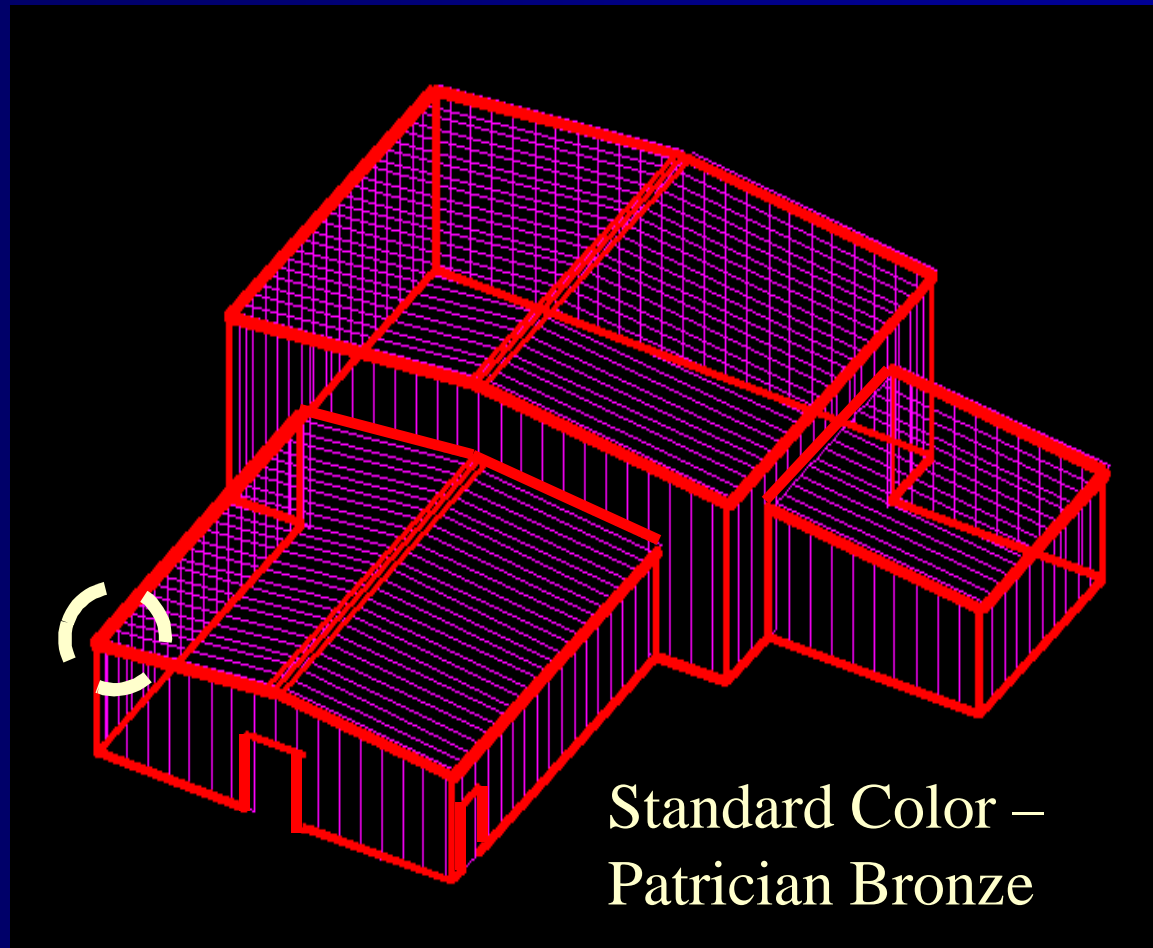
SLR II EXPANDABLE RAKE TRIM  
WITH TALL MOVABLE CLIP ON Z-PURLINS

# Soffit At

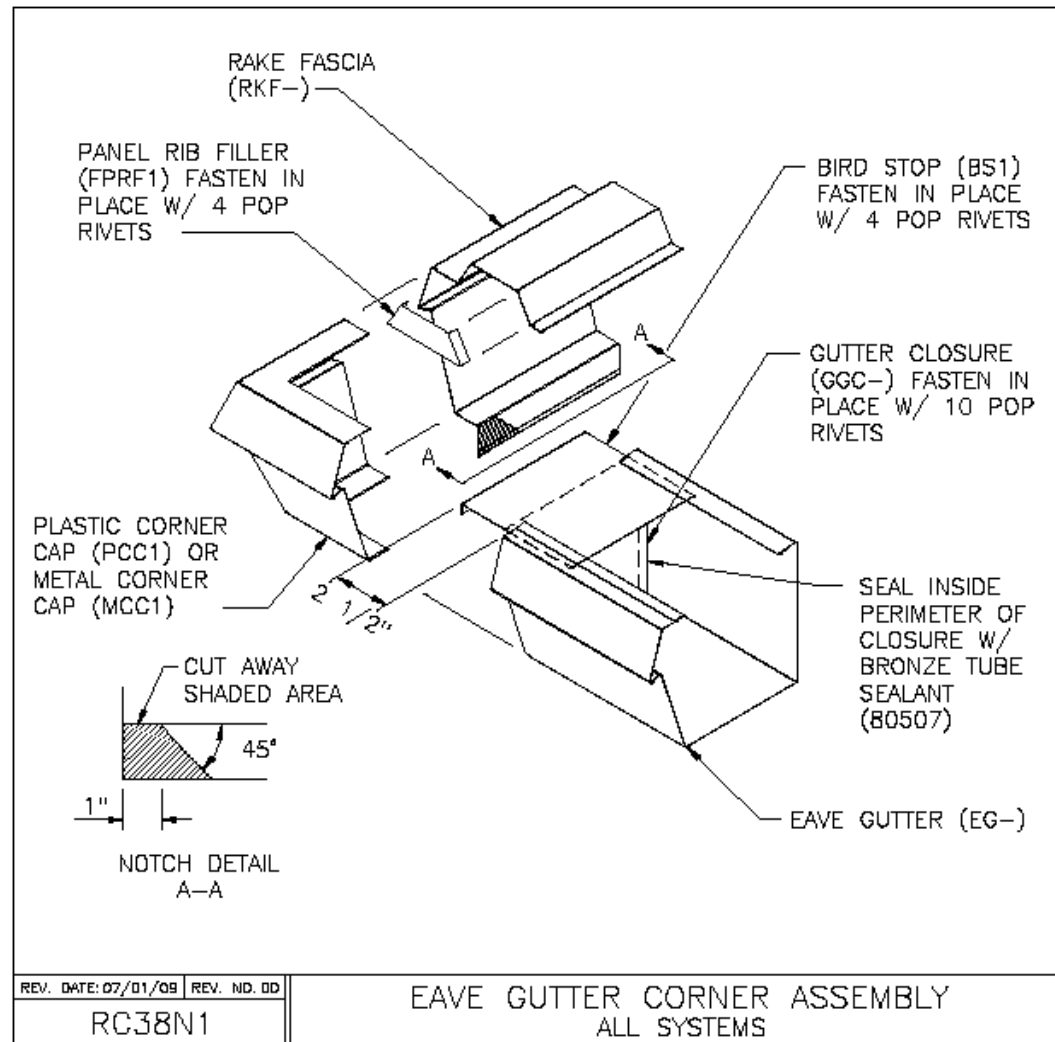
# Canopy/Rake Extension



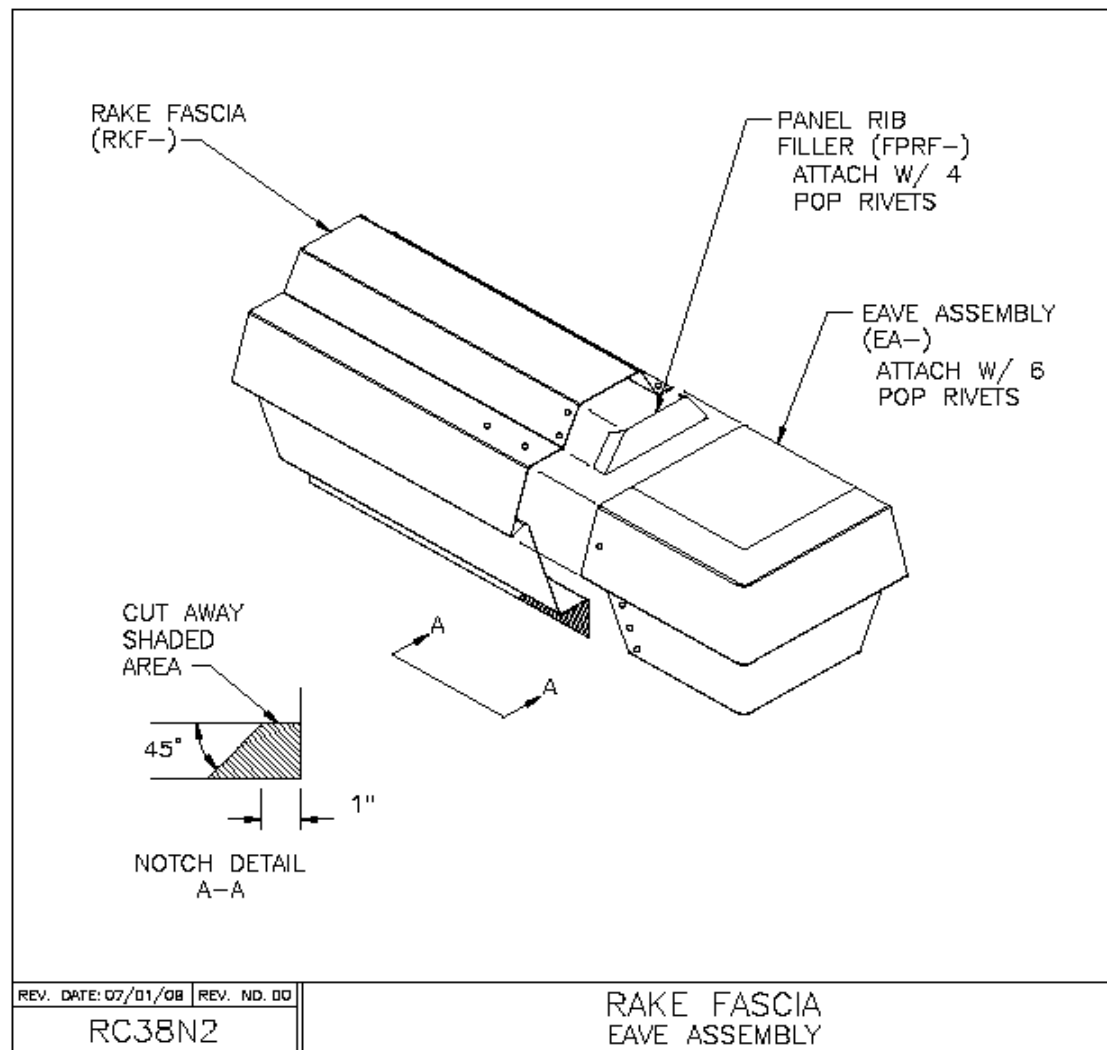
# Corner / Point Trim



# Corner Cap (SSR/PR)



# Corner Cap

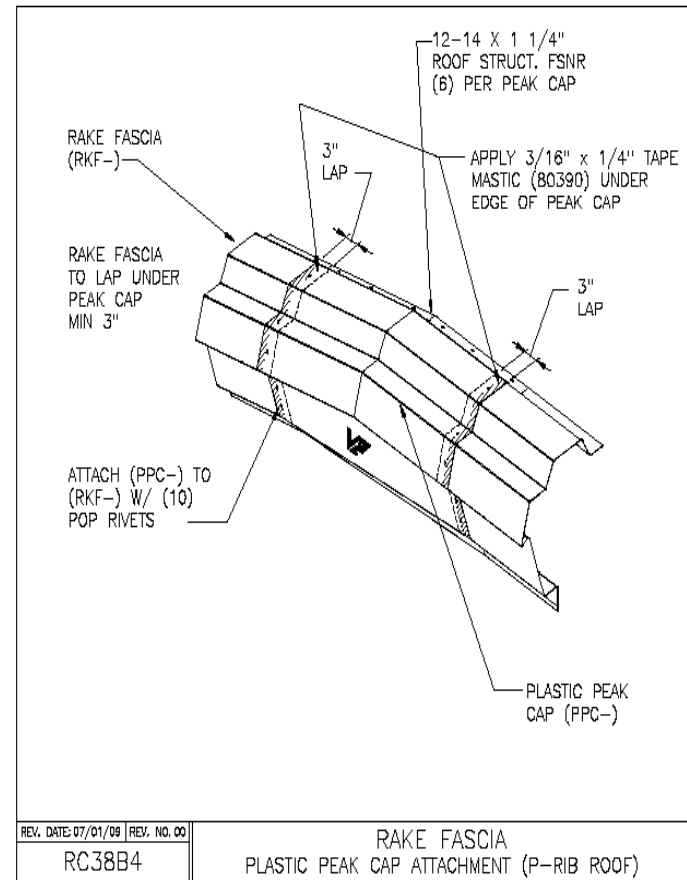
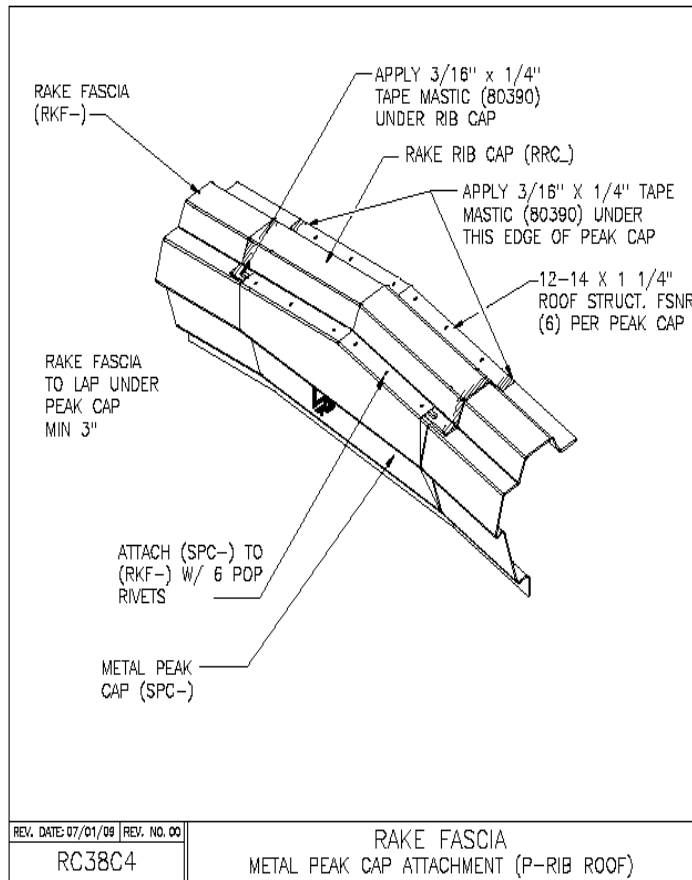




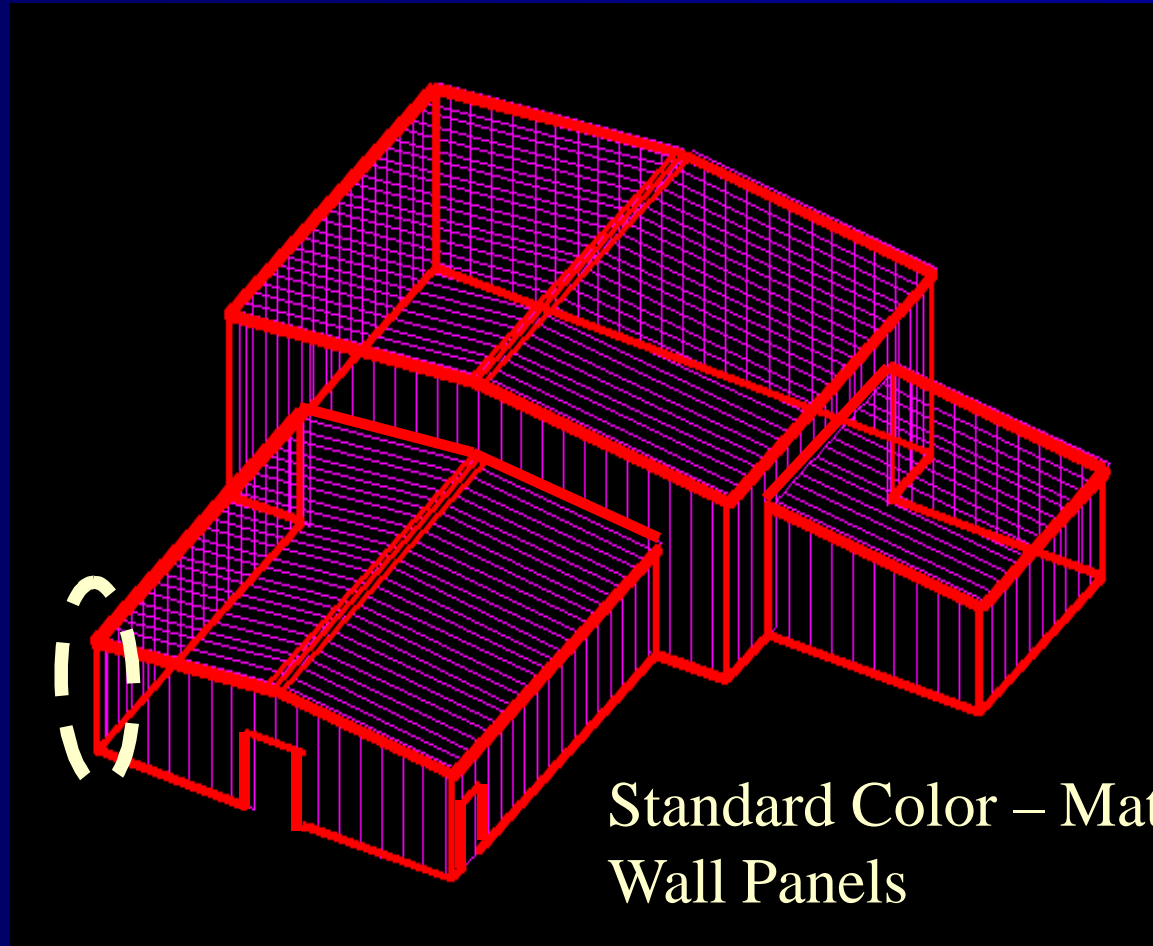
# SLR II Corner Condition



# Peak Trim

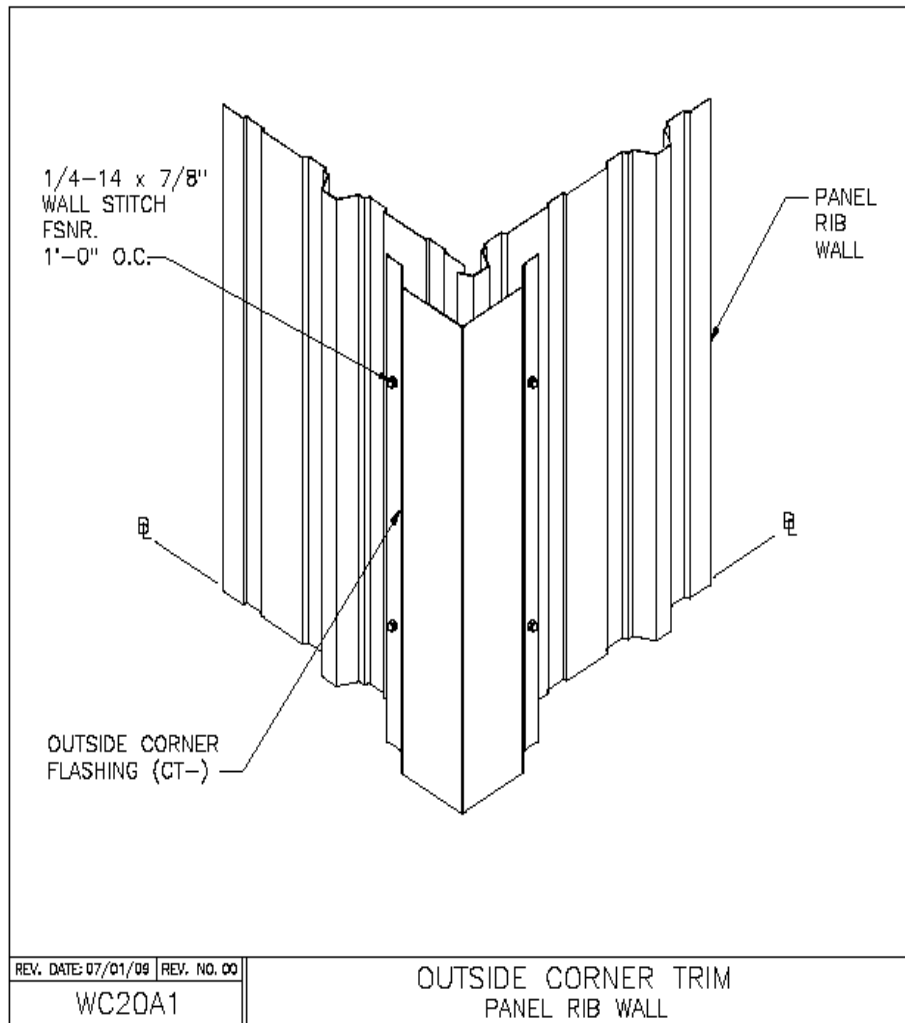


# Outside Corner Trim



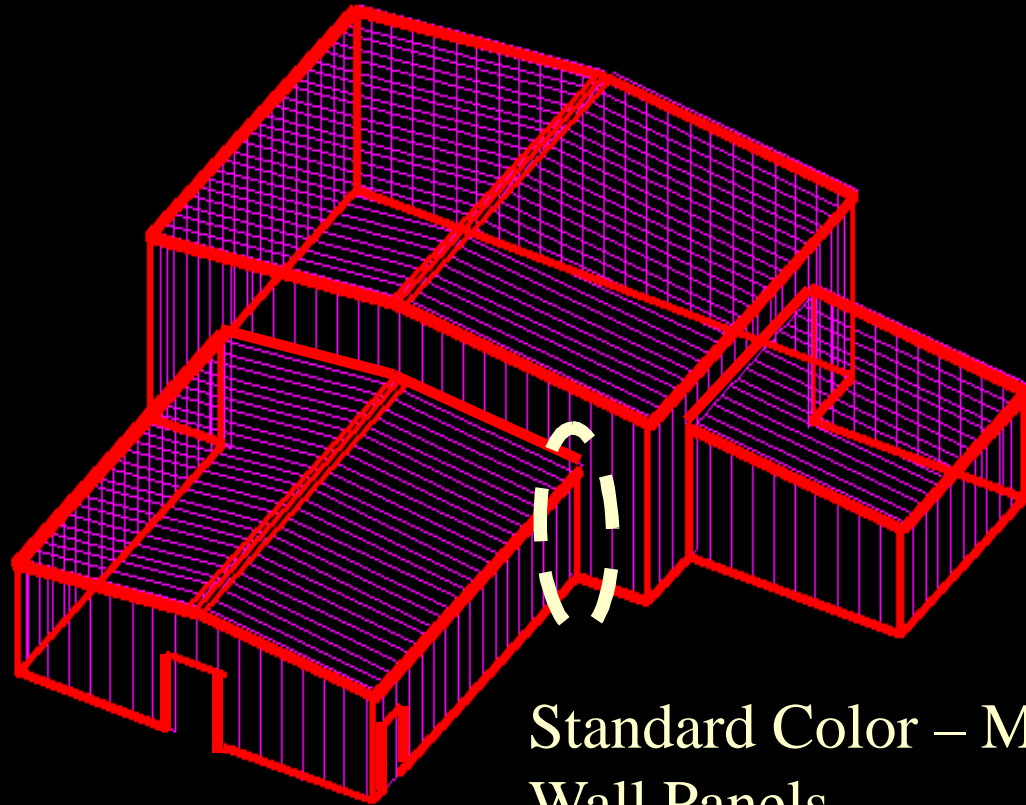


# Outside Corner Trim - PR



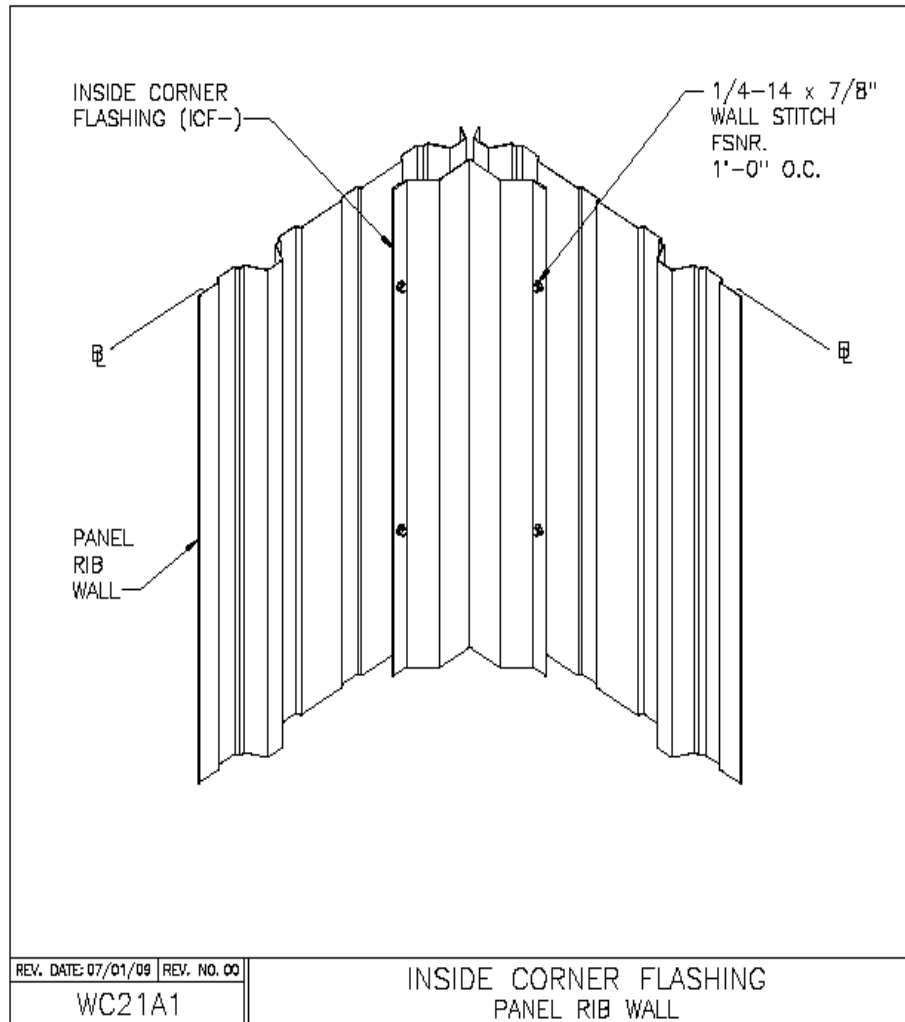
*VR Similar,  
Trim  
Embossed*

# *Inside Corner Trim*



Standard Color – Match  
Wall Panels

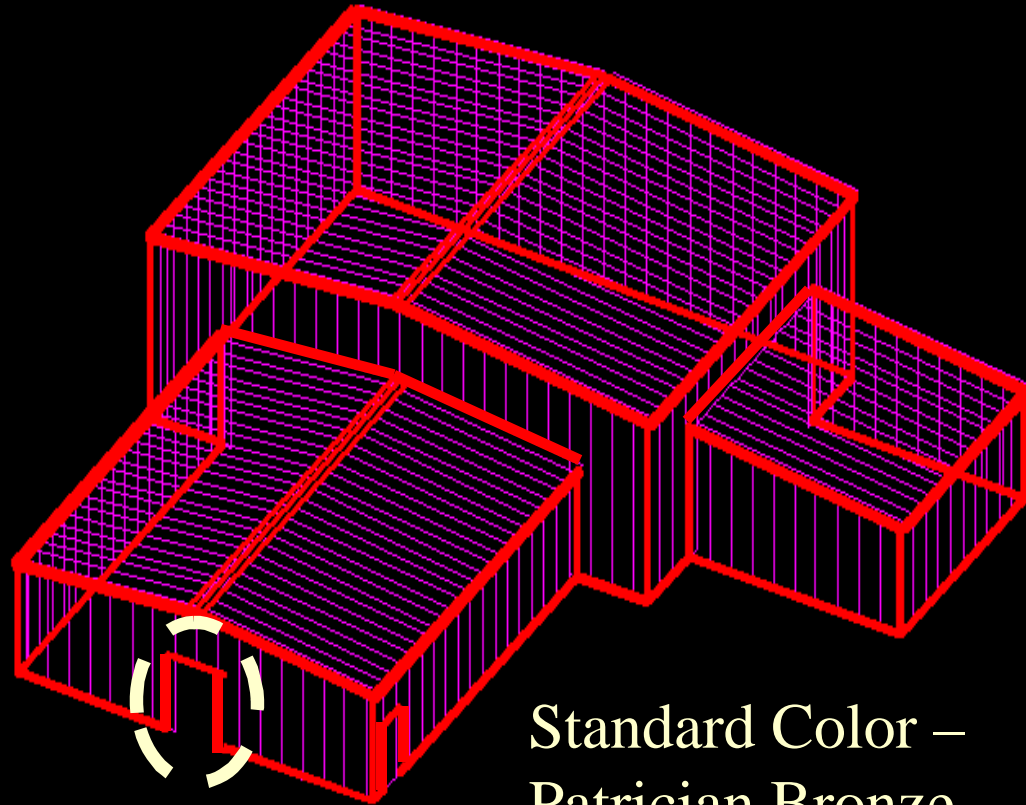
# Inside Corner Trim - PR



*VR Similar,  
Trim  
Embossed*

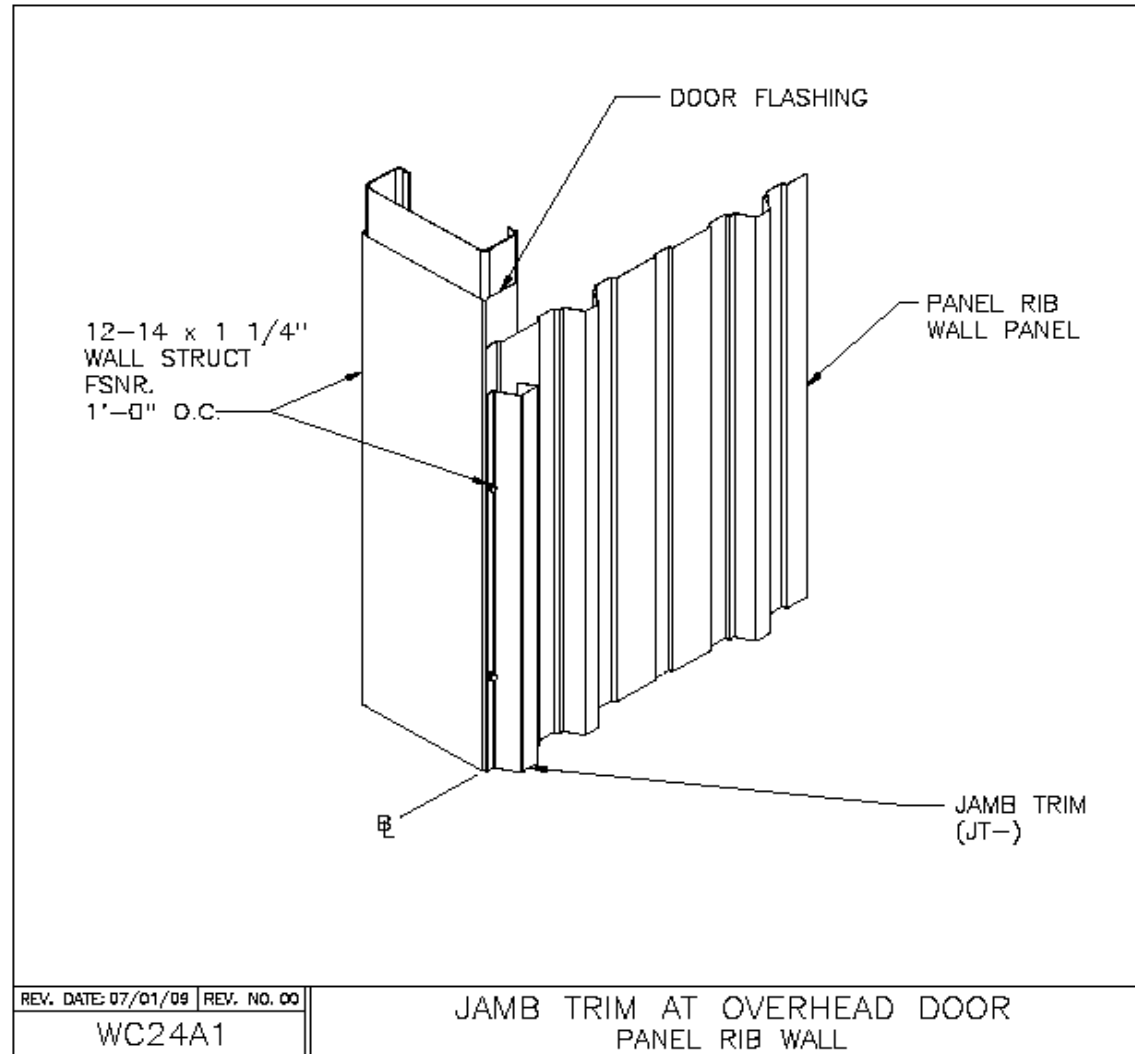


# Framed Opening Trim

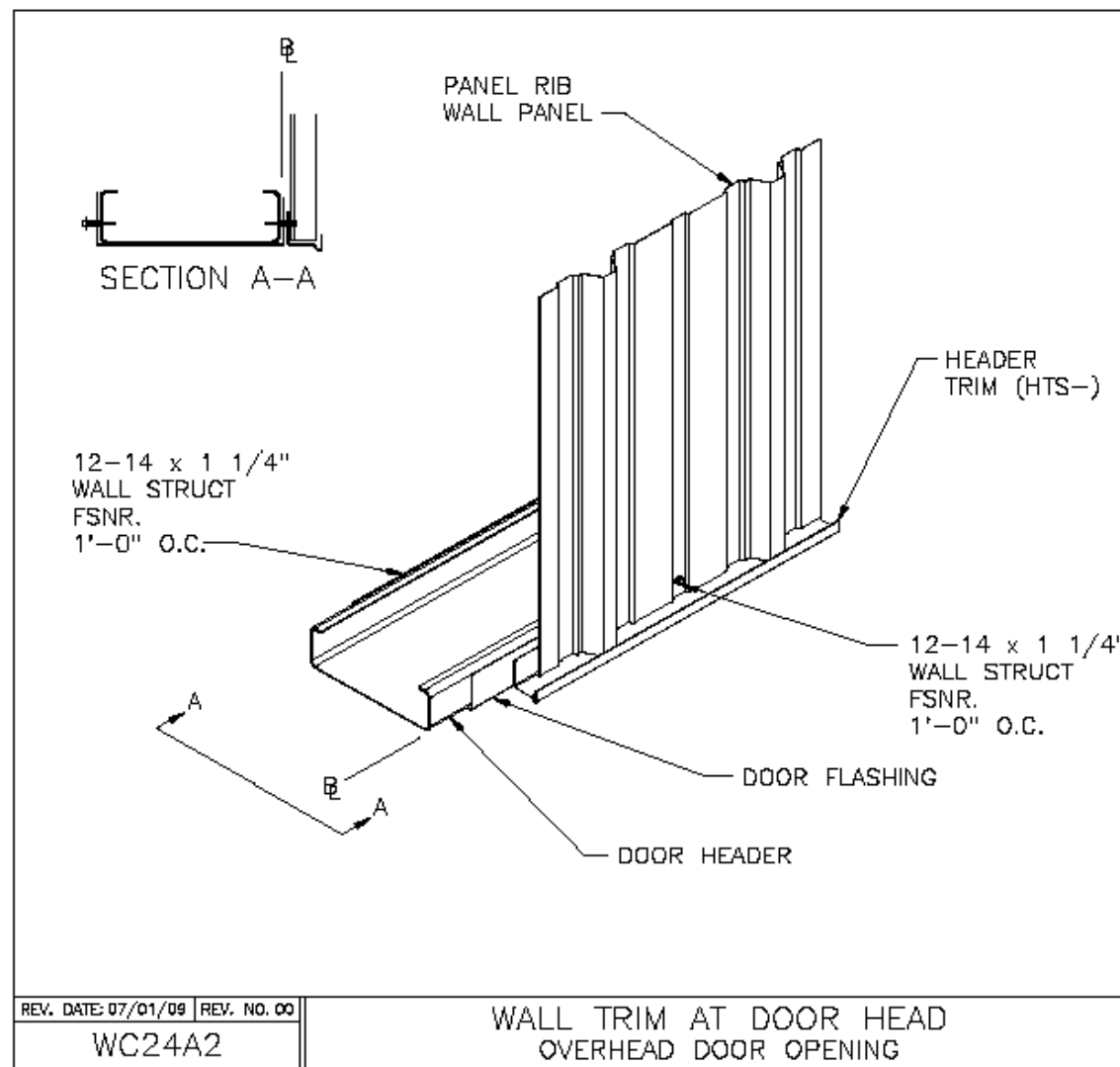


Standard Color –  
Patrician Bronze

# Jamb Trim / Door Flashing



# Header Trim

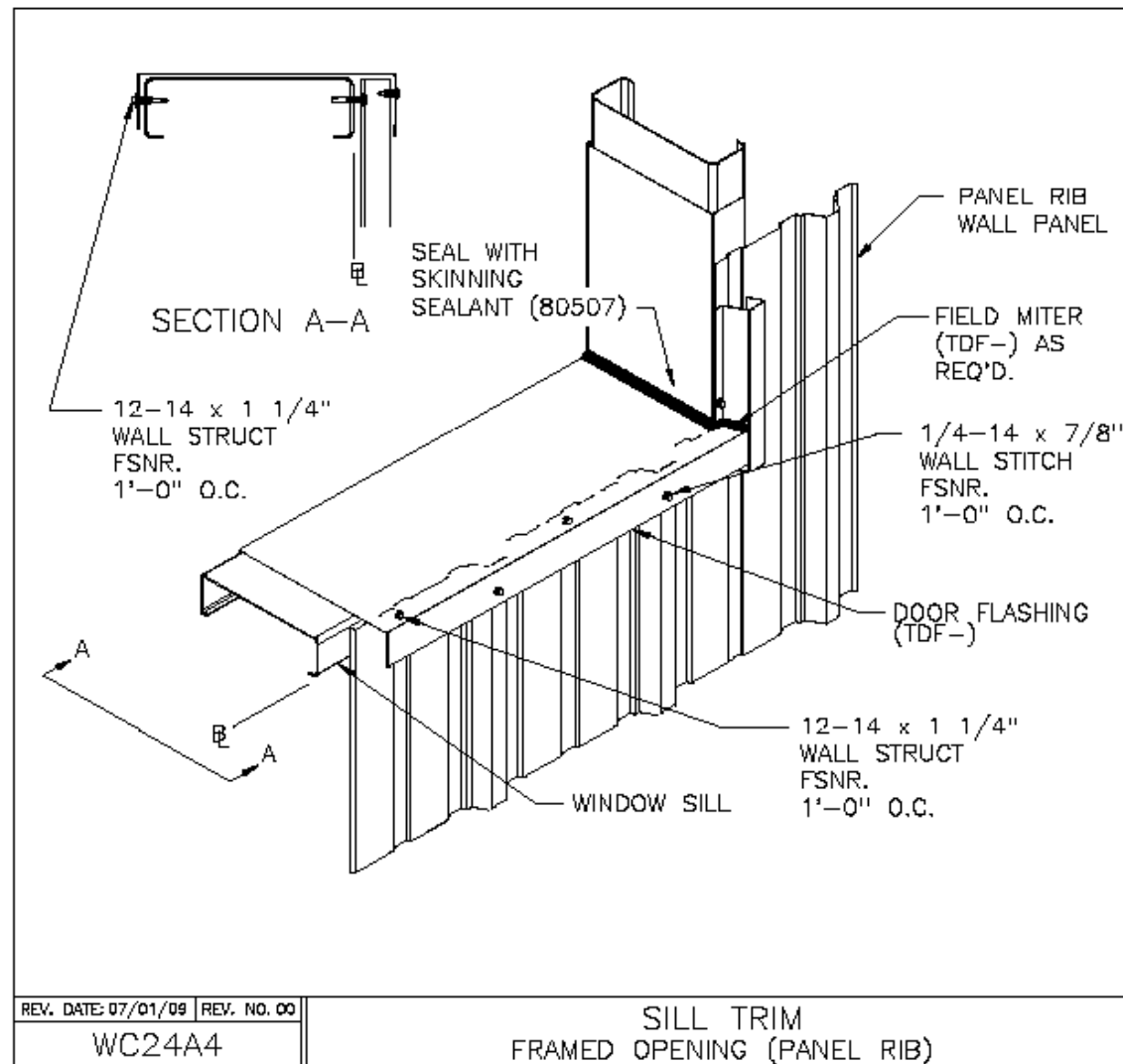




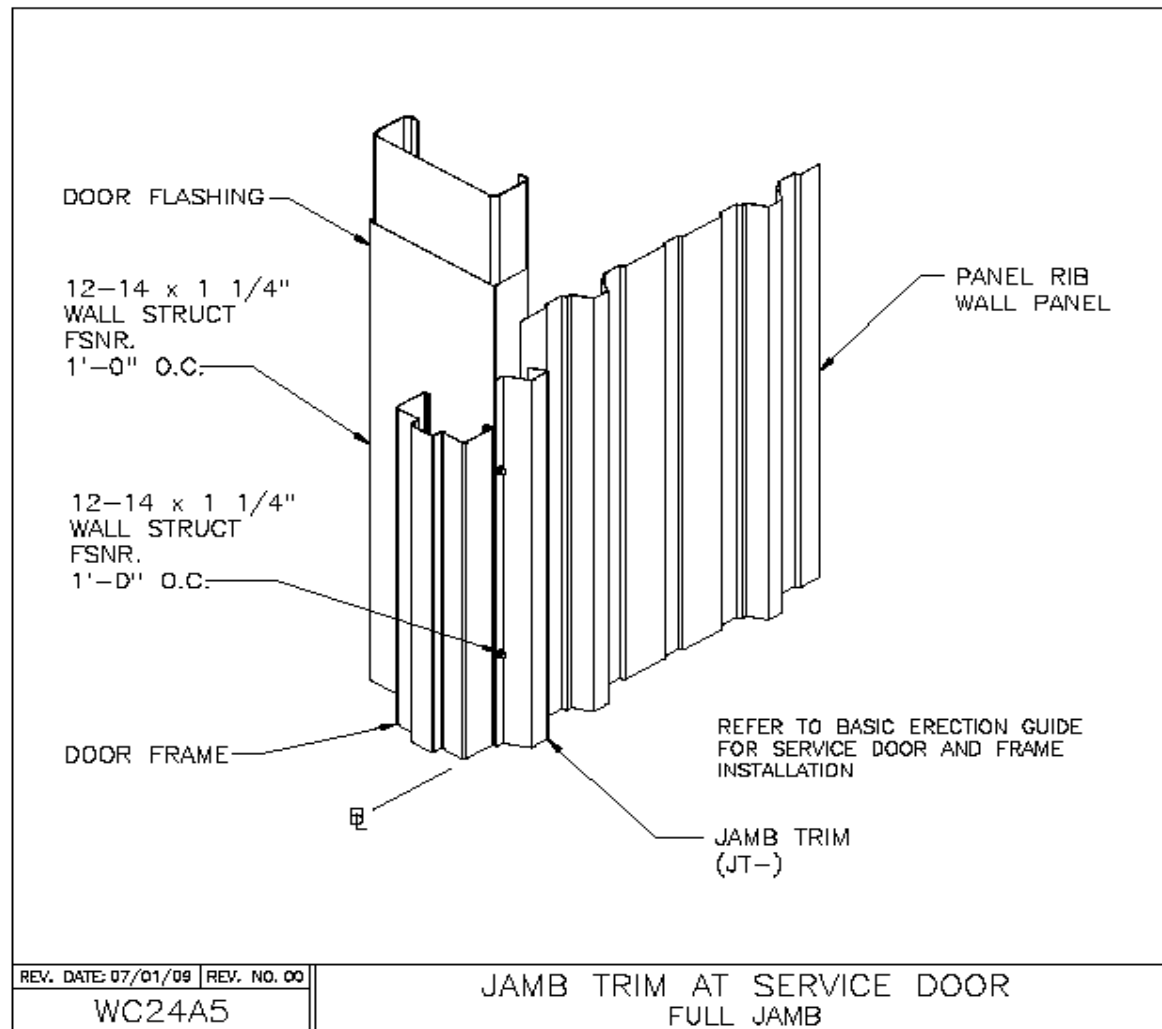
# Overhead Door Trim



# Sill Trim



# F.O. Trim at Walk Door (when F.O. is required)



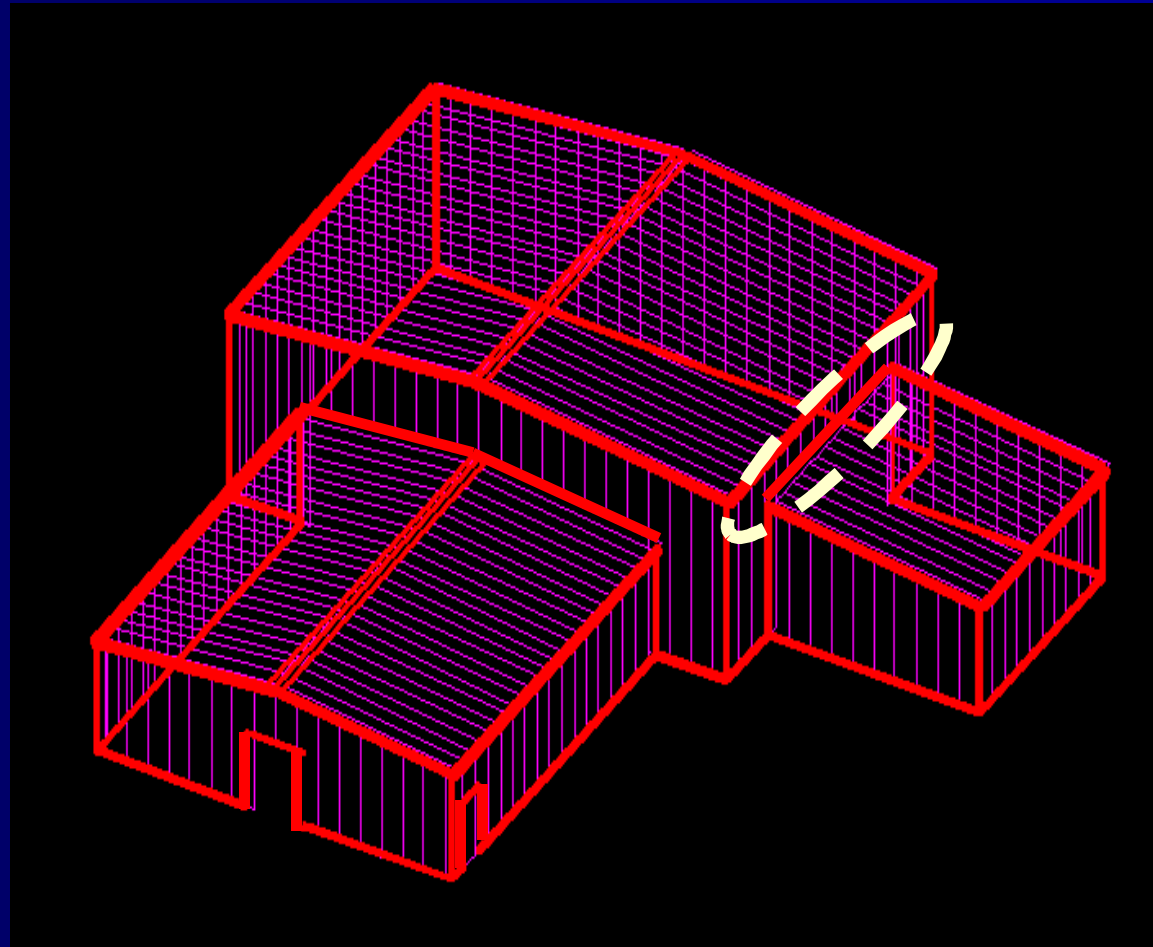


# Trim

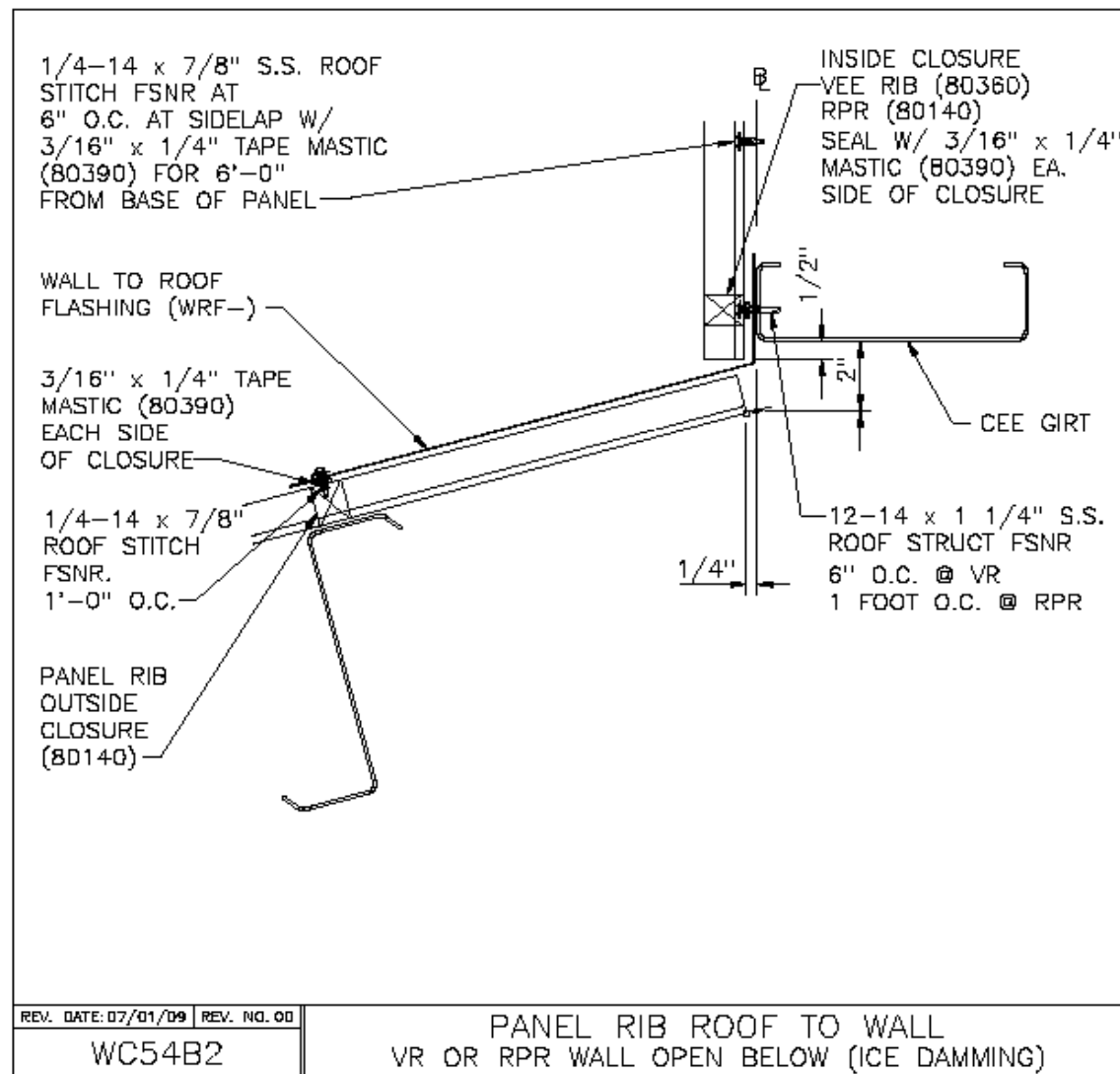




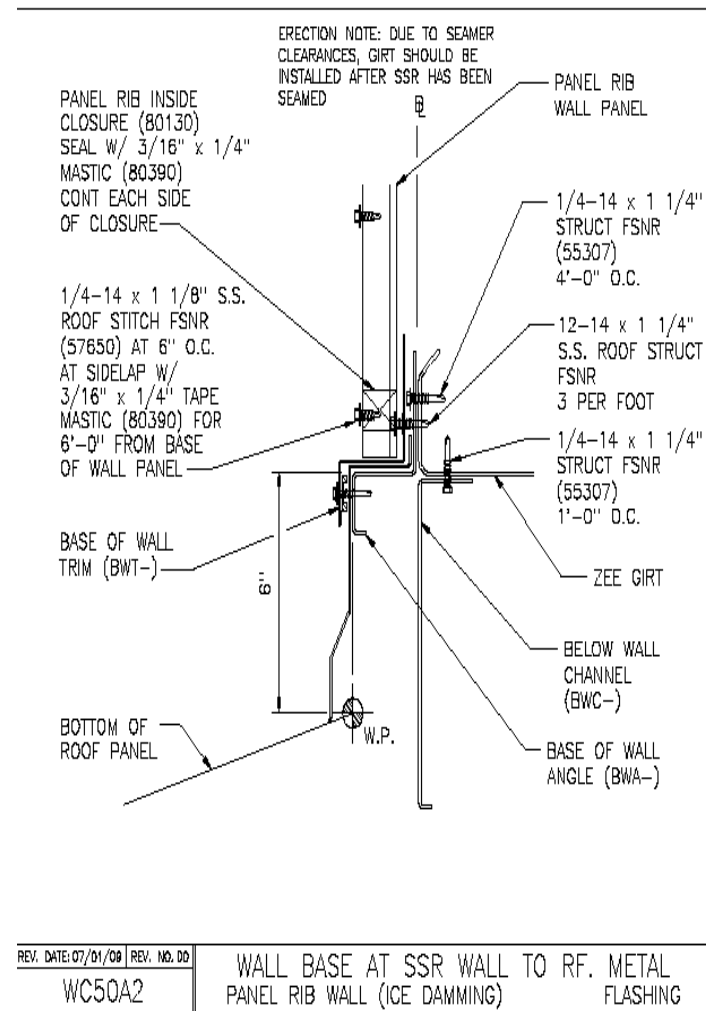
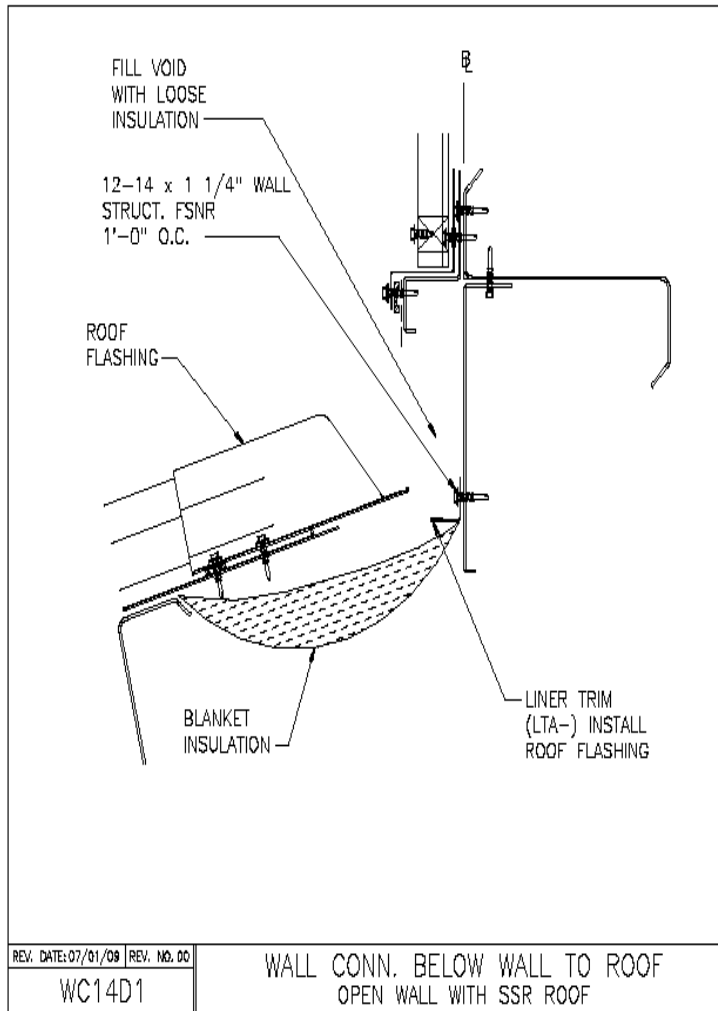
# Wall-To-Roof Trim



# PR Wall-To-Roof

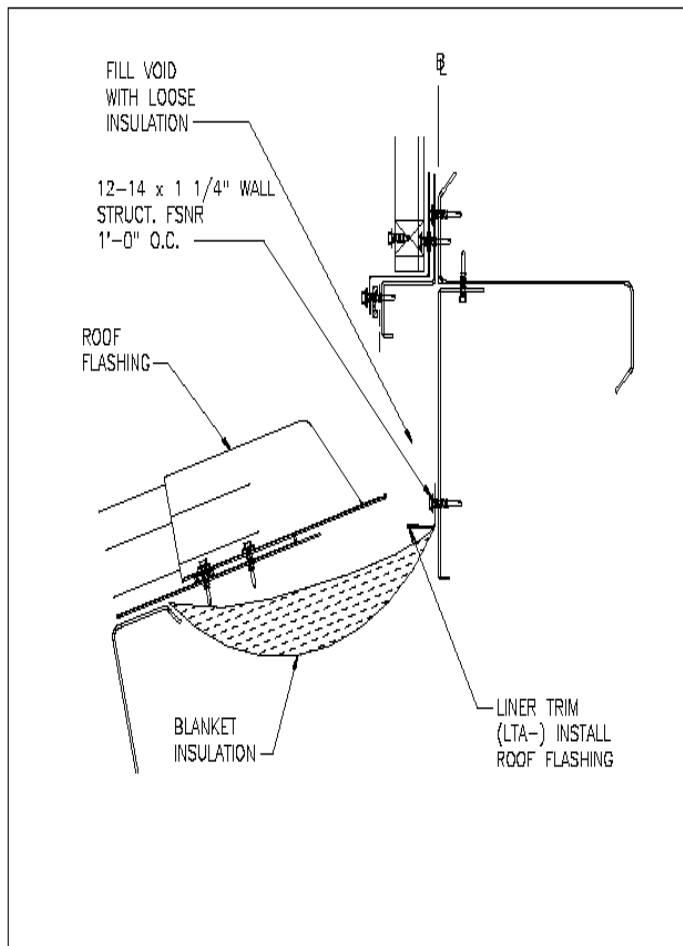


# SSR Wall-To-Roof (Metal Flashing)

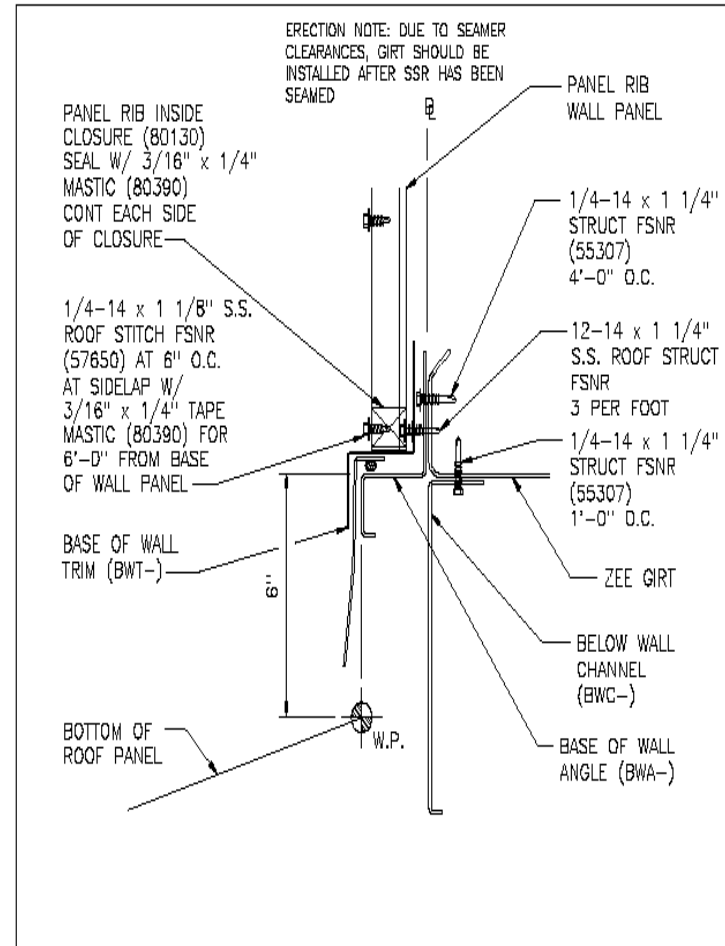




# SSR Wall-To-Roof (Flexible Flashing)



REV. DATE: 07/01/09 | REV. NO. 00  
**WC14D1**  
 WALL CONN. BELOW WALL TO ROOF  
 OPEN WALL WITH SSR ROOF



REV. DATE: 07/01/09 | REV. NO. 00  
**WC51A2**  
 WALL BASE AT SSR WALL TO RF.  
 PANEL RIB WALL (ICE DAMMING) FLEXIBLE FLASHING

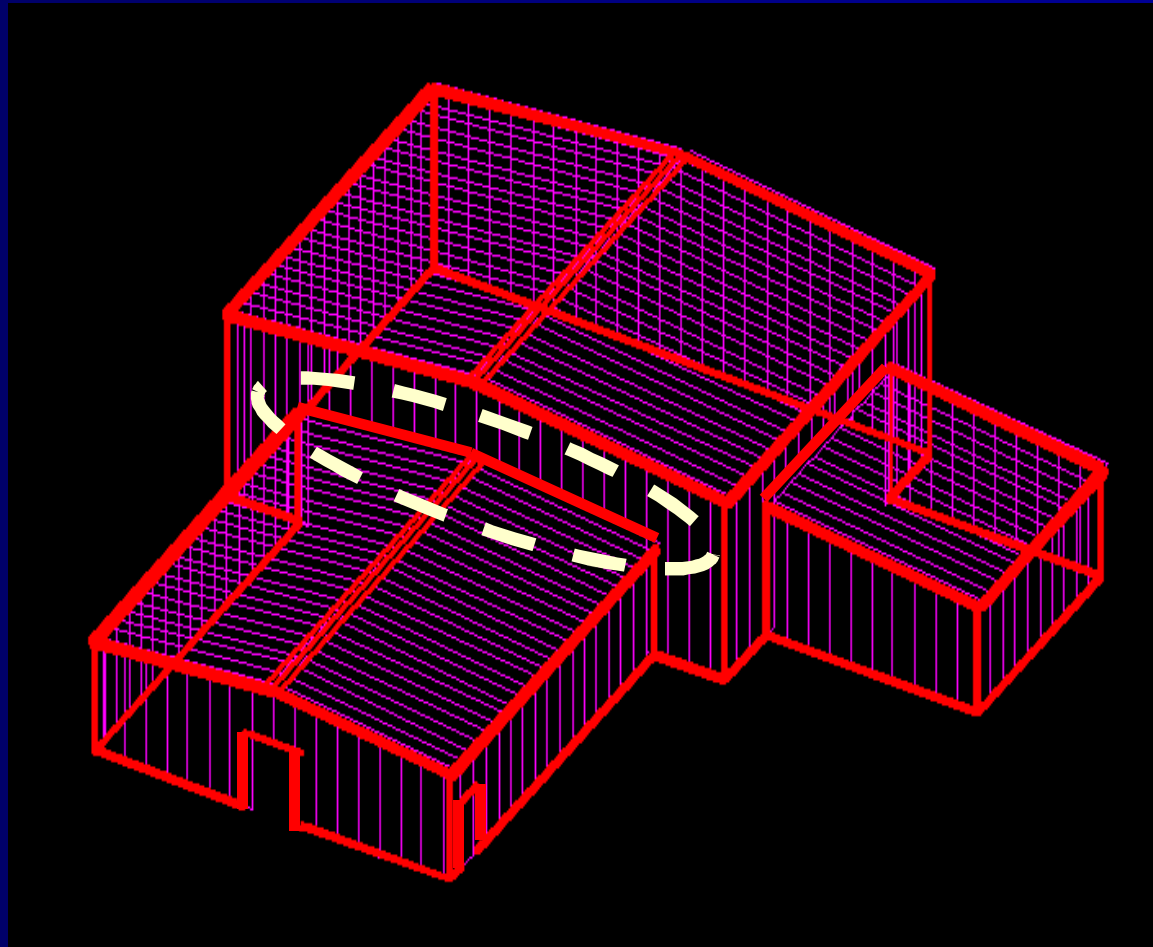


# SSR Wall-to-Roof flashing





# Roof Height Change Trim





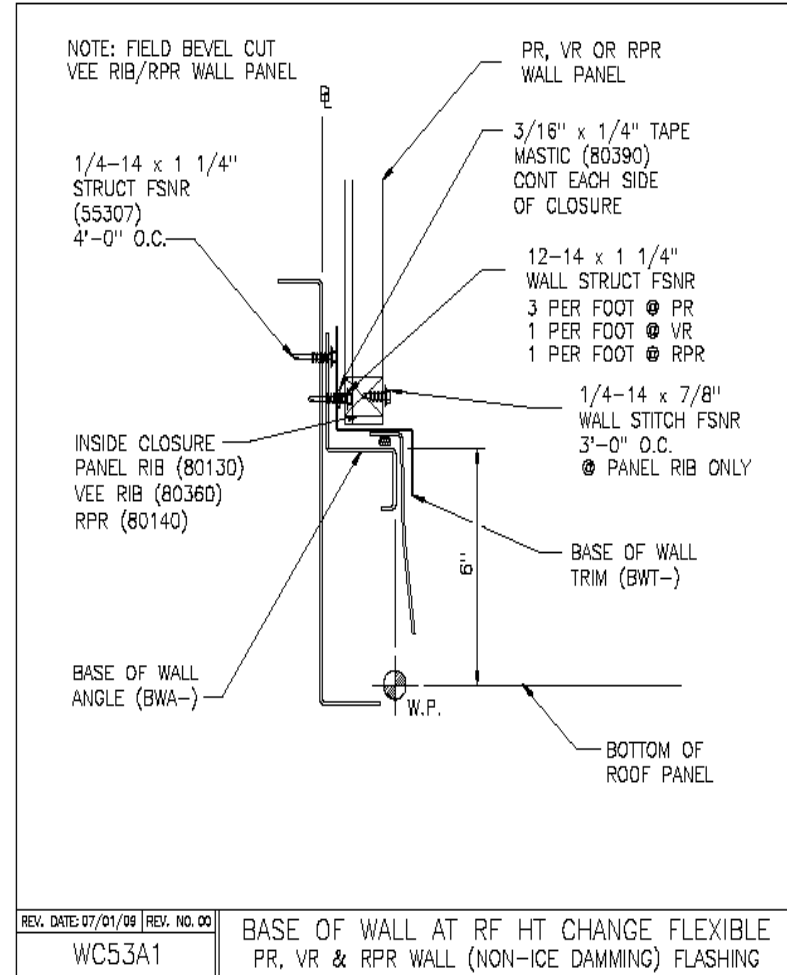
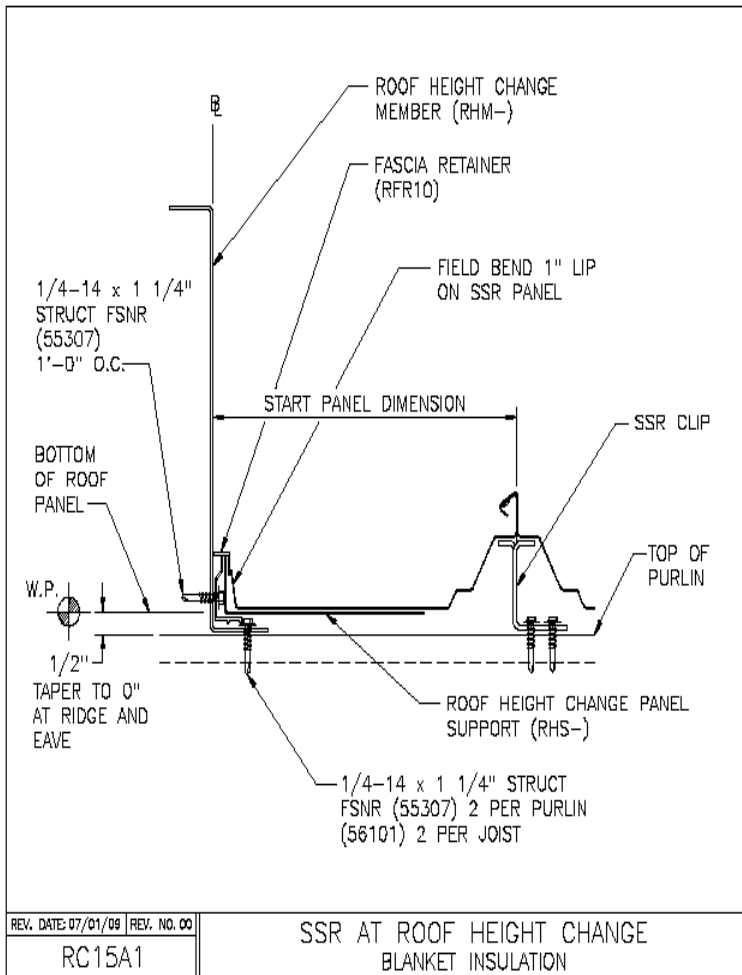


# SSR RHC

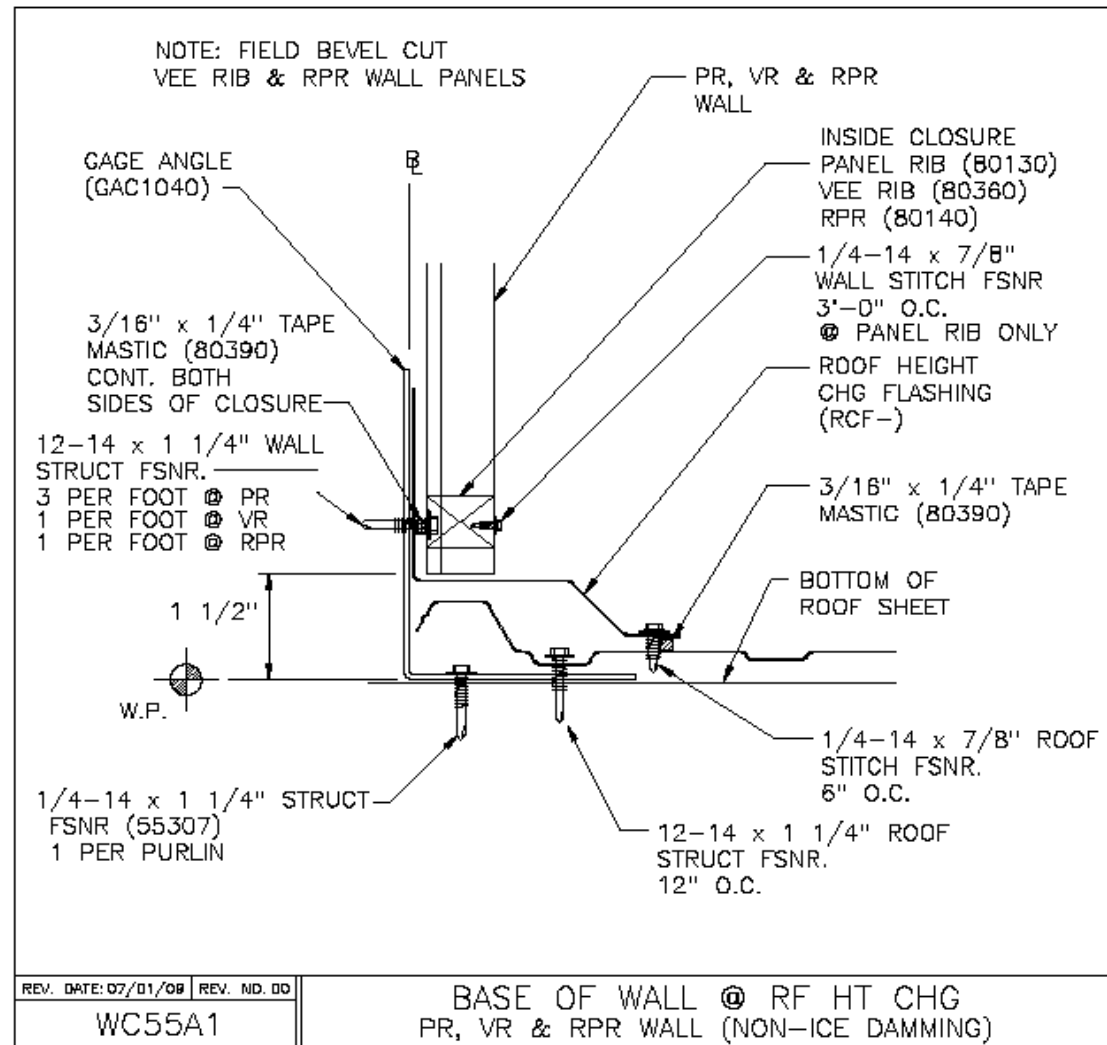




# SSR Roof Height Change (Flexible Flashing)

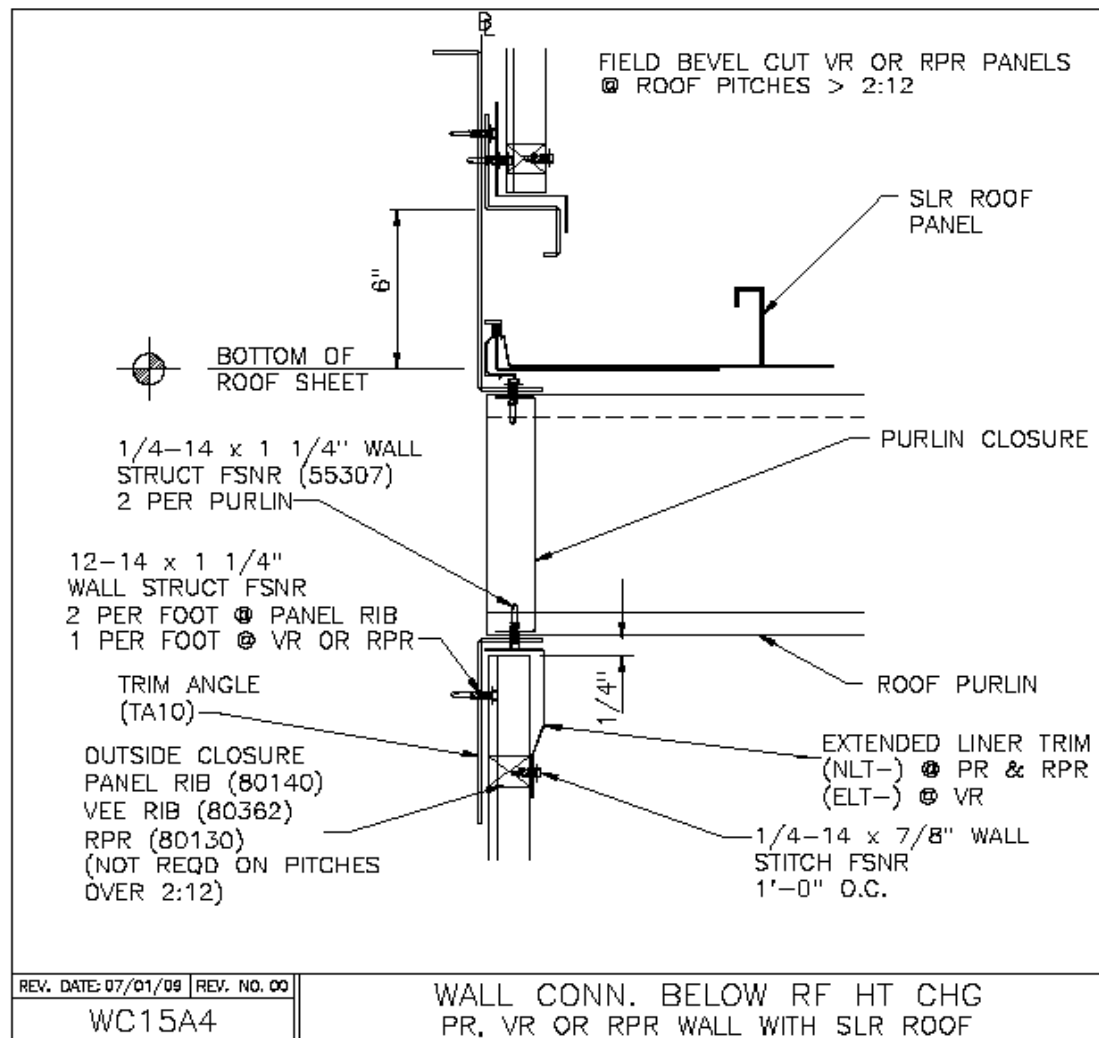


# PR Roof Height Change





# SLR II Roof Height Change

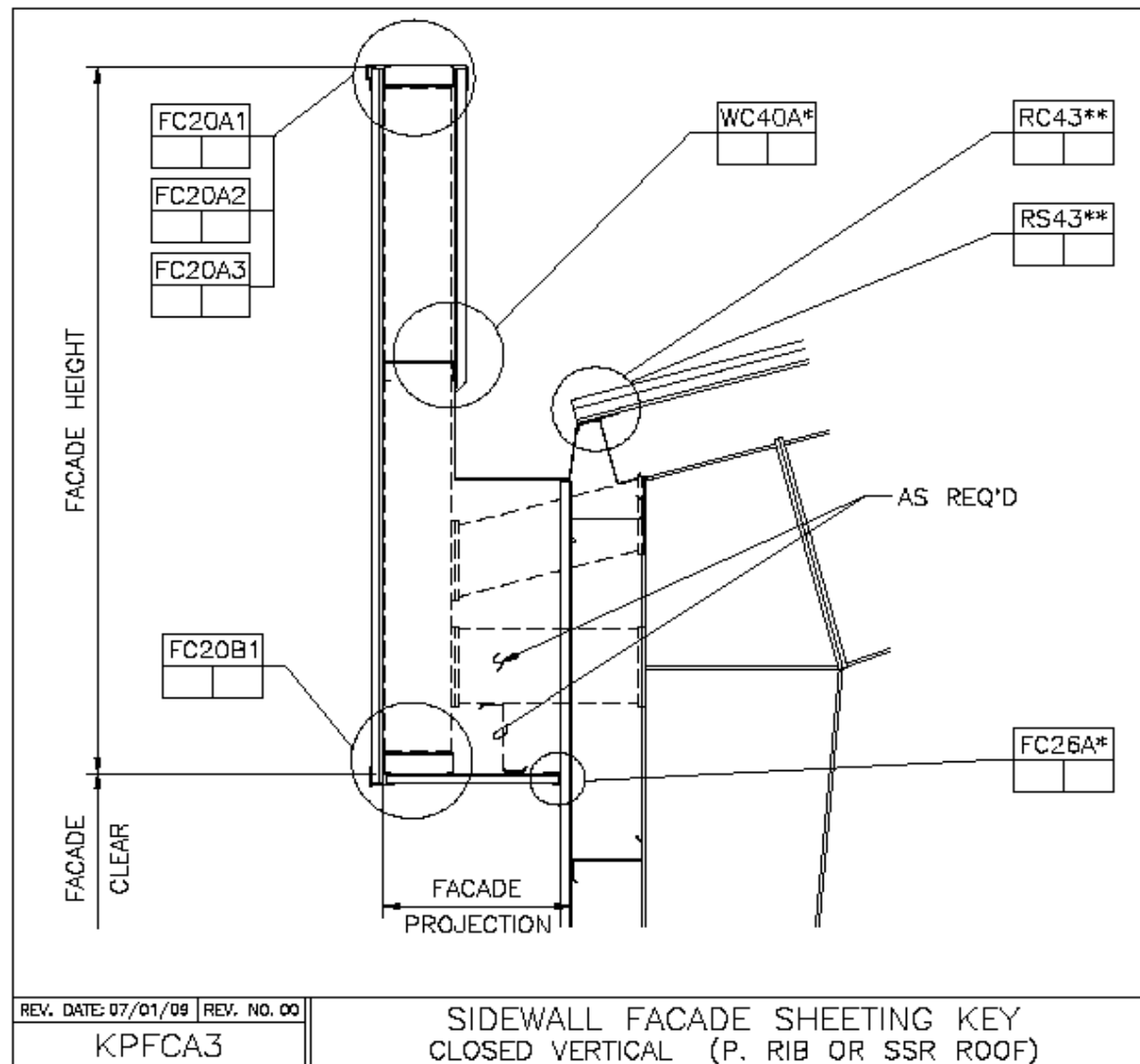




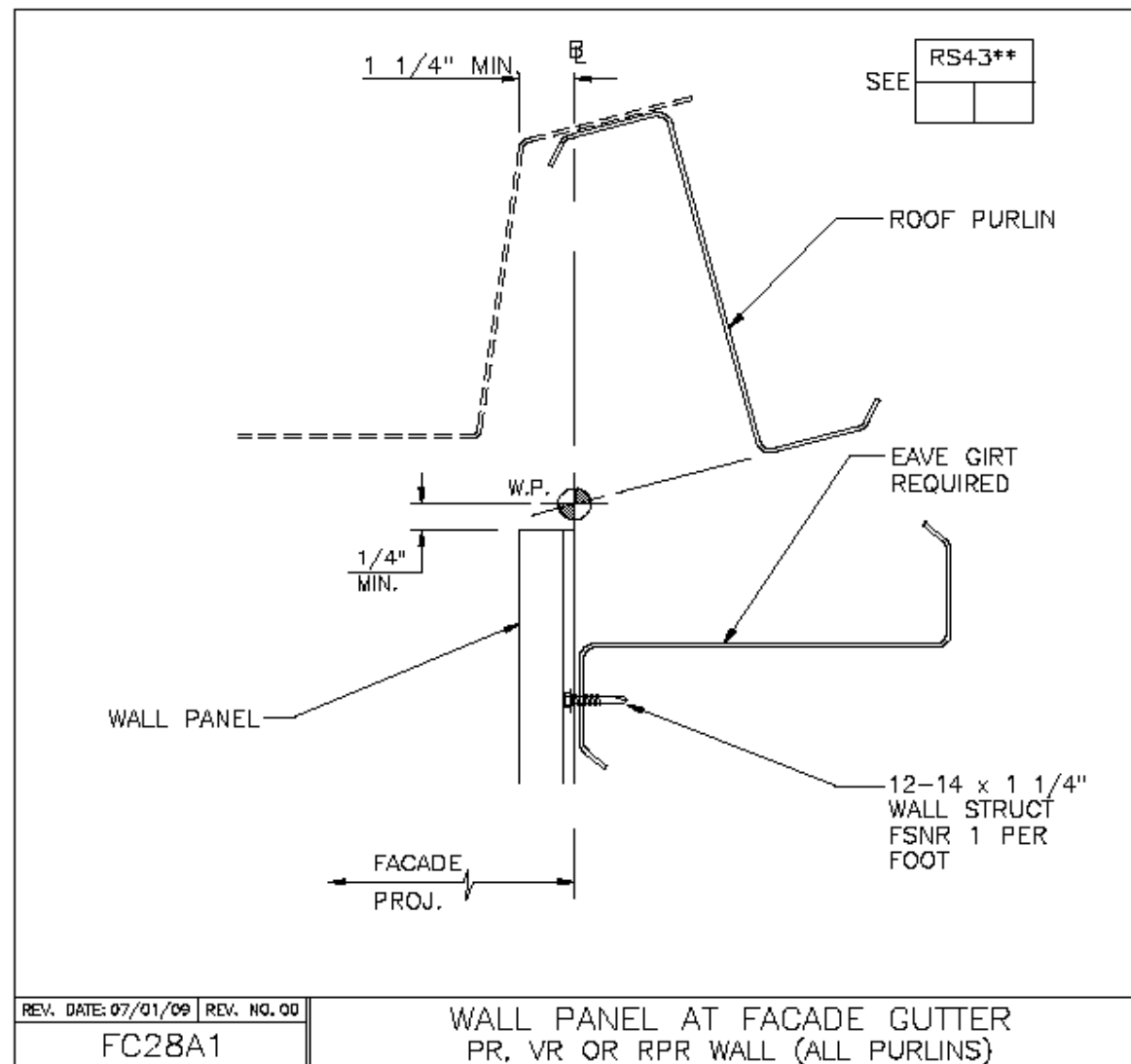
# Roof Height Change



# Multi-Gutter

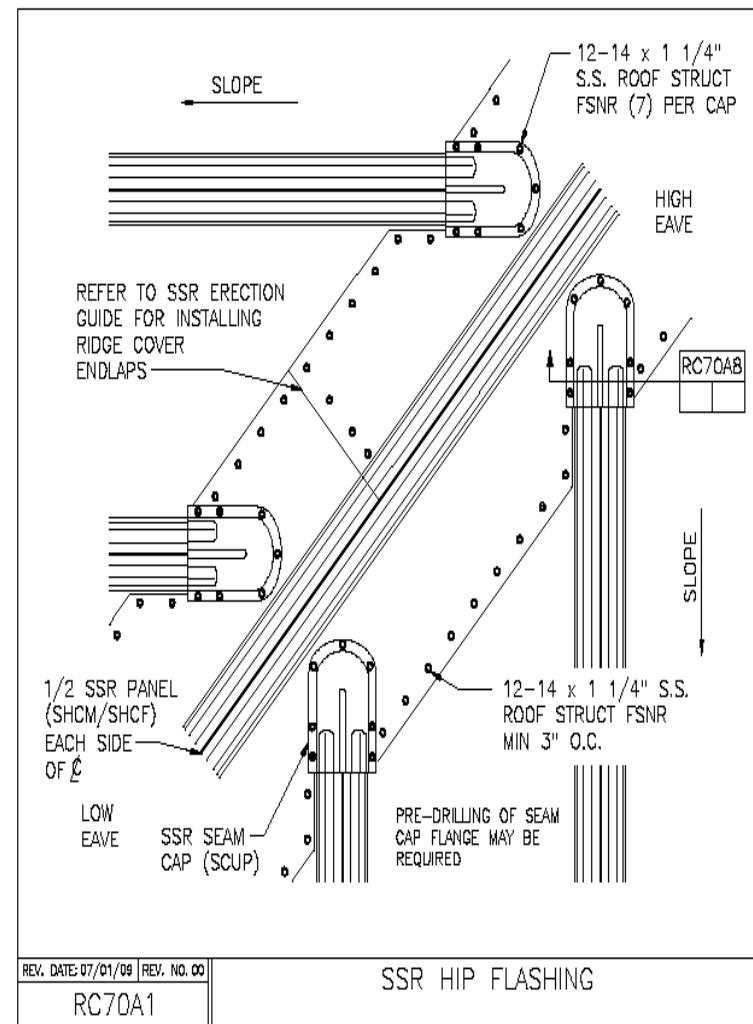
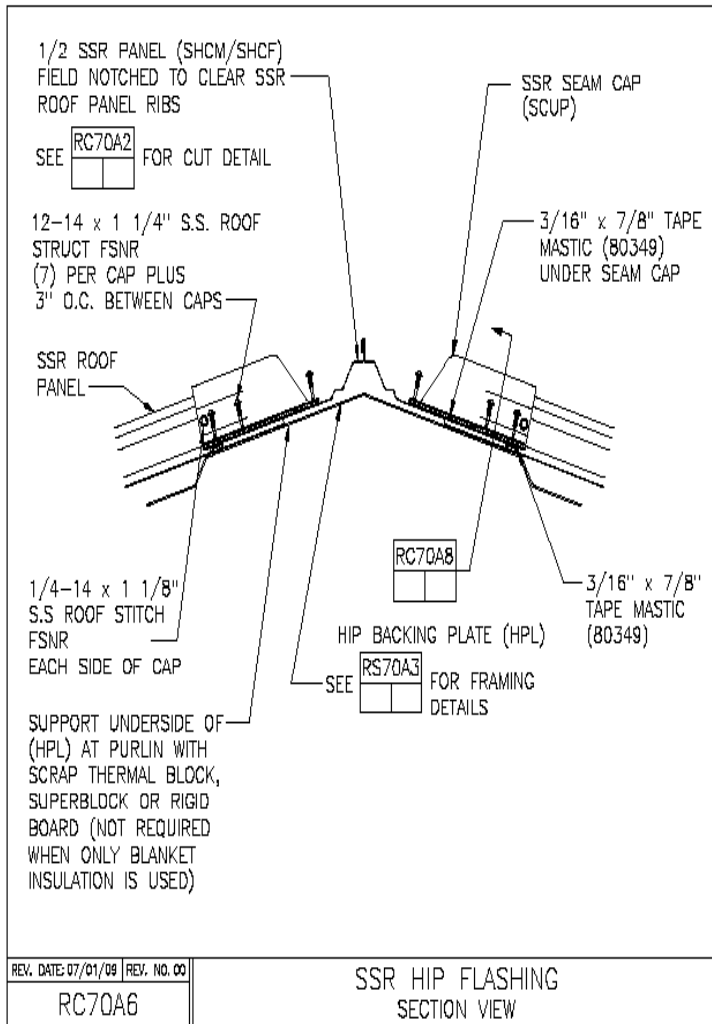


# Multi-Gutter



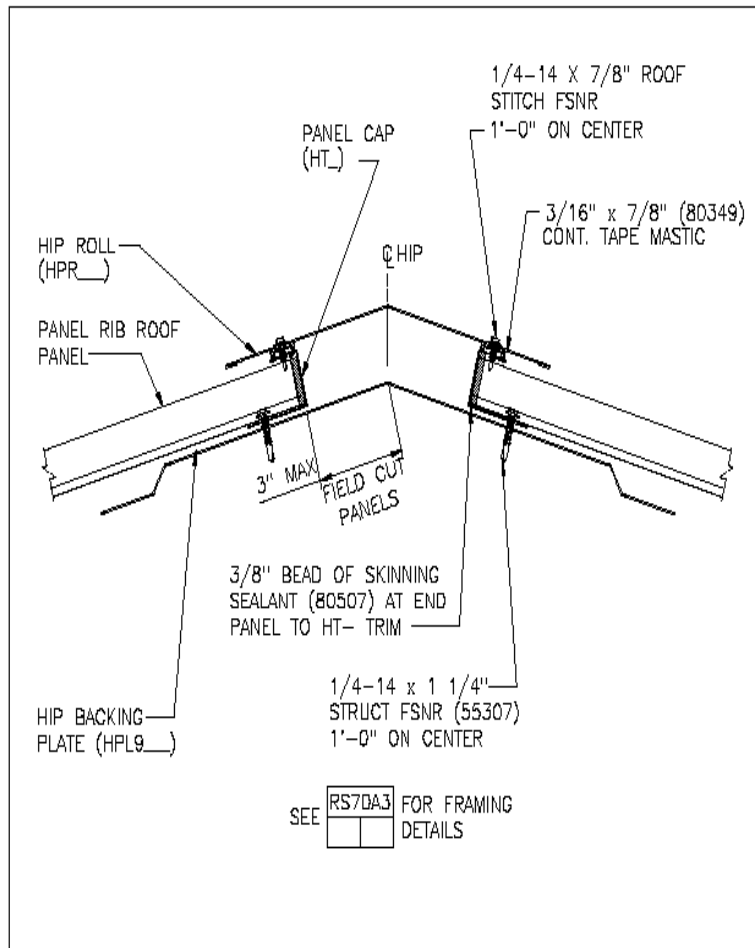


# SSR Hip / Valley Flashing



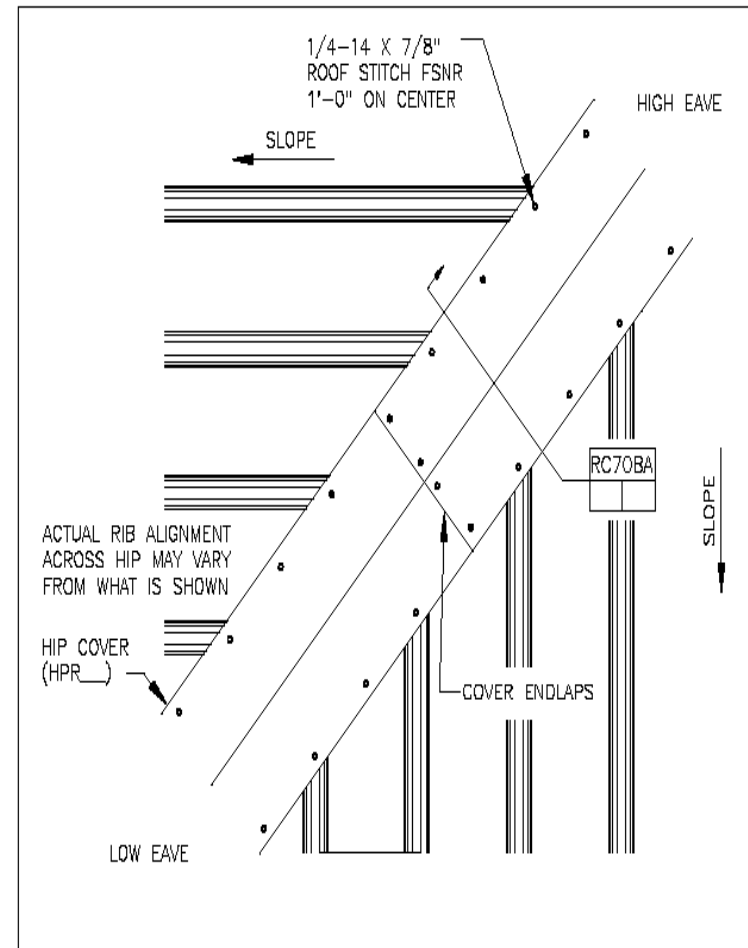


# PR Hip / Valley Flashing



REV. DATE: 07/01/09 | REV. NO. 00  
RC70BA

PANEL RIB HIP FLASHING SECTION VIEW



REV. DATE: 07/01/09 | REV. NO. 00  
RC70B1

PANEL RIB HIP SHEETING PLAN PLAN VIEW



# SLR Hip/Valley





# SLR Hip/Valley





# Adaptor Trim





# Common Trim Colors

**F.O.  
Trim –  
Pat.  
Bronze**

**Corner  
Trim –  
Match  
Wall  
Color**

