



Covering





Roof Covering

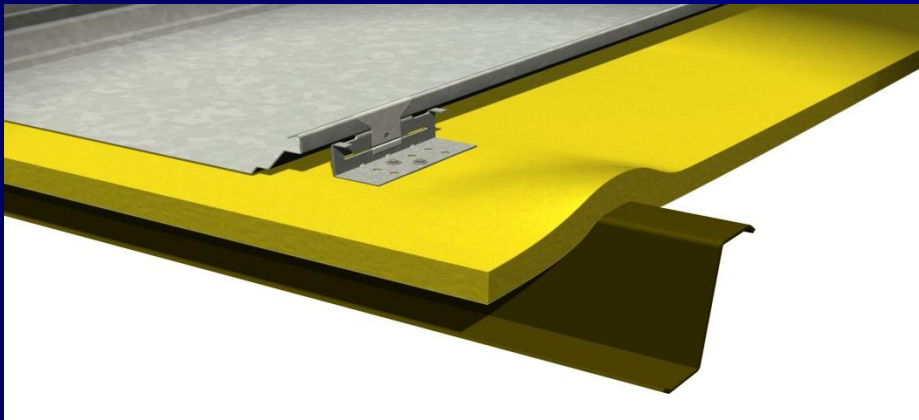


Roof Covering

- Standing Seam (SSR)



Roof Covering (SSR)

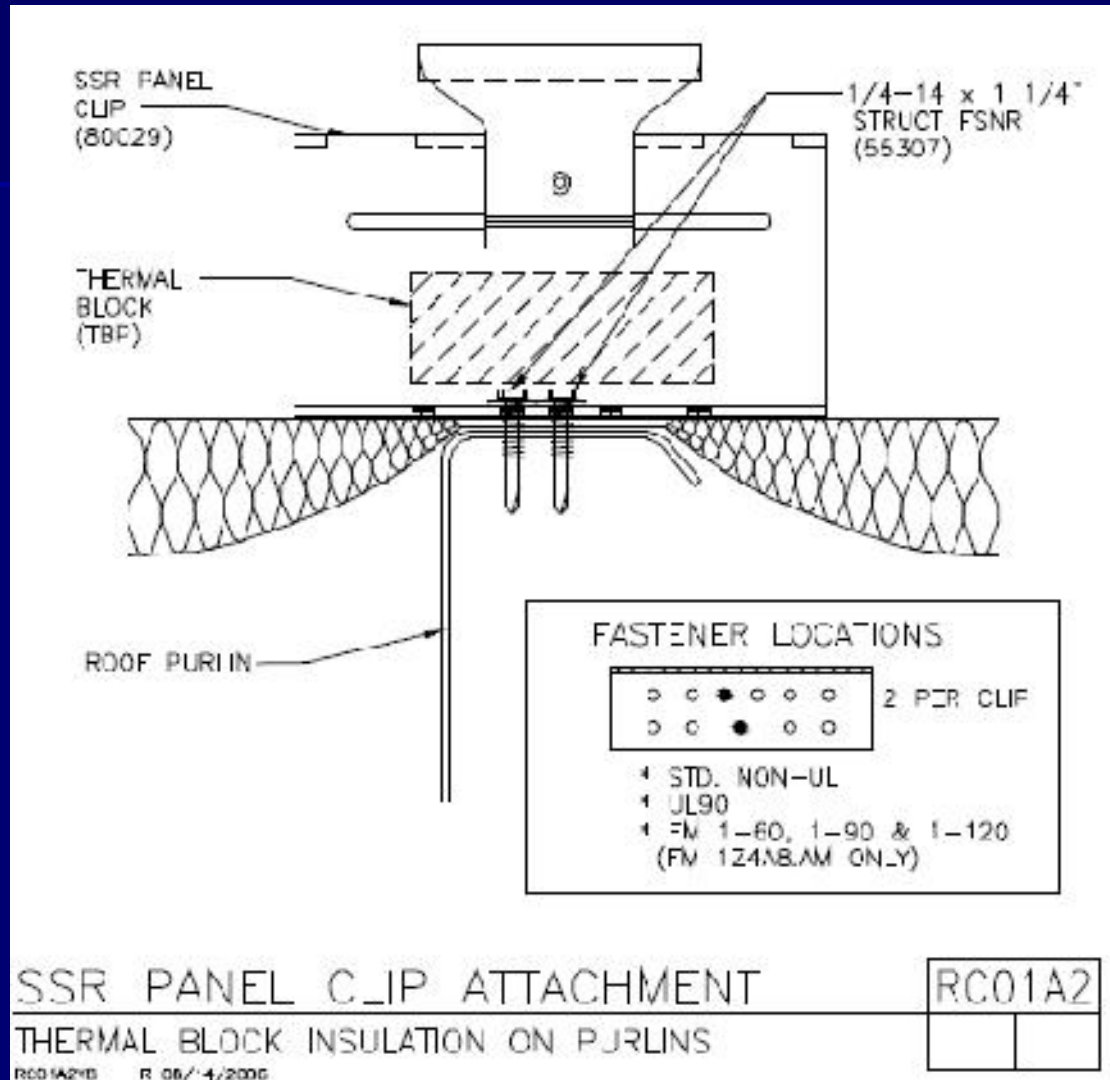


- 24" coverage w/ 3" seam height
- Machine seamed, in-place
- Attached to roof secondary (purlins, widebay truss purlin or bar joist) w/ a concealed sliding clip which allows 1 5/8" thermal movement each direction, 3 1/4" total



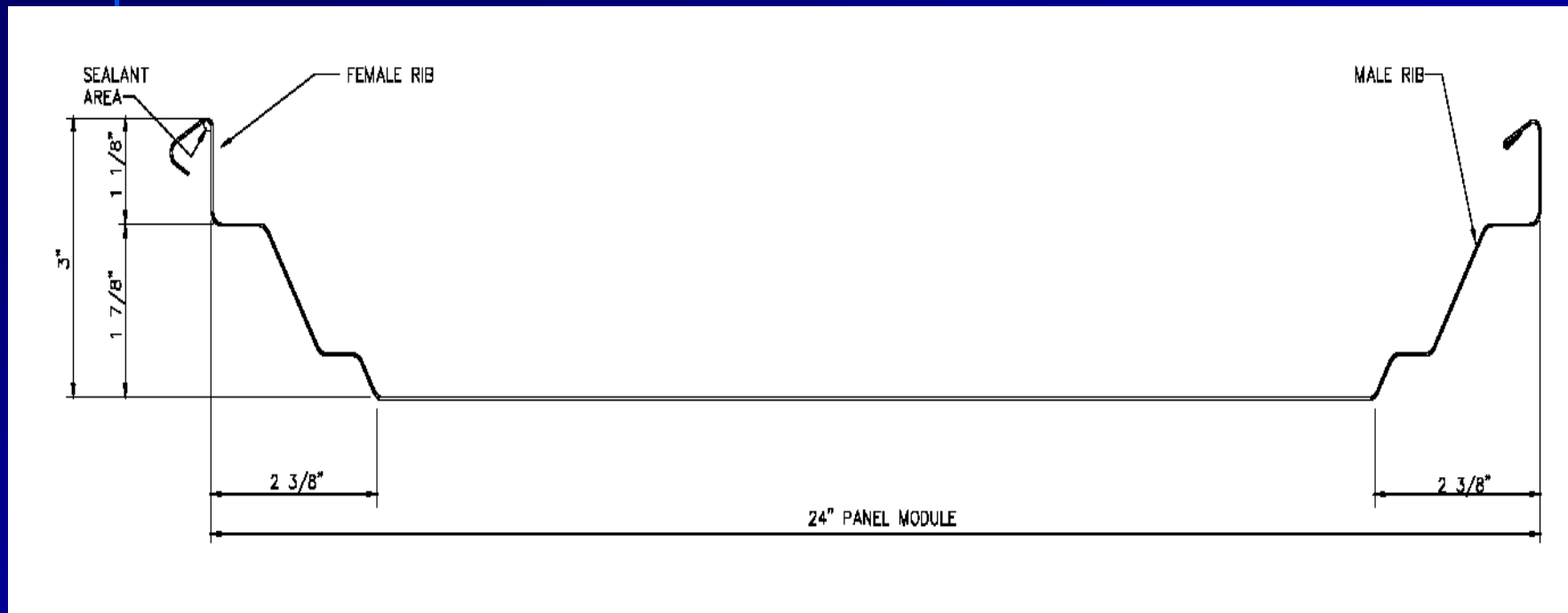
Note: Taller SSR clips are used with **thermal block/super block**. Adjustments may be desired in eave height input which is measured from top of purlins.

[Link to P&P manual](#)





SSR Profile





Roof Covering (SSR)

- Weather-tight roof system
- 24 gage w/ 22 gage available upon special request
- 20 year Warranted Finishes
 - Galvalume
 - KXL (Kynar 500® or Hylar 5000®)
- Variety of colors to choose from
- Use with Blanket Insulation up to 6" thick (over purlins) or Rigid Board up to 3 1/2" thick



Roof Covering (SSR)





SSR Staggered Lap

- Panel lap is 9" above the Purlin
- Staggered Lap is typically 5'-0" (purlin spacing)
- Sheet either direction, except with Tuflites
- Notch is factory applied



SSR Staggered Lap

PANEL MAY BE ERECTED
LEFT TO RIGHT OR
RIGHT TO LEFT
(LEFT TO RIGHT SHOWN)

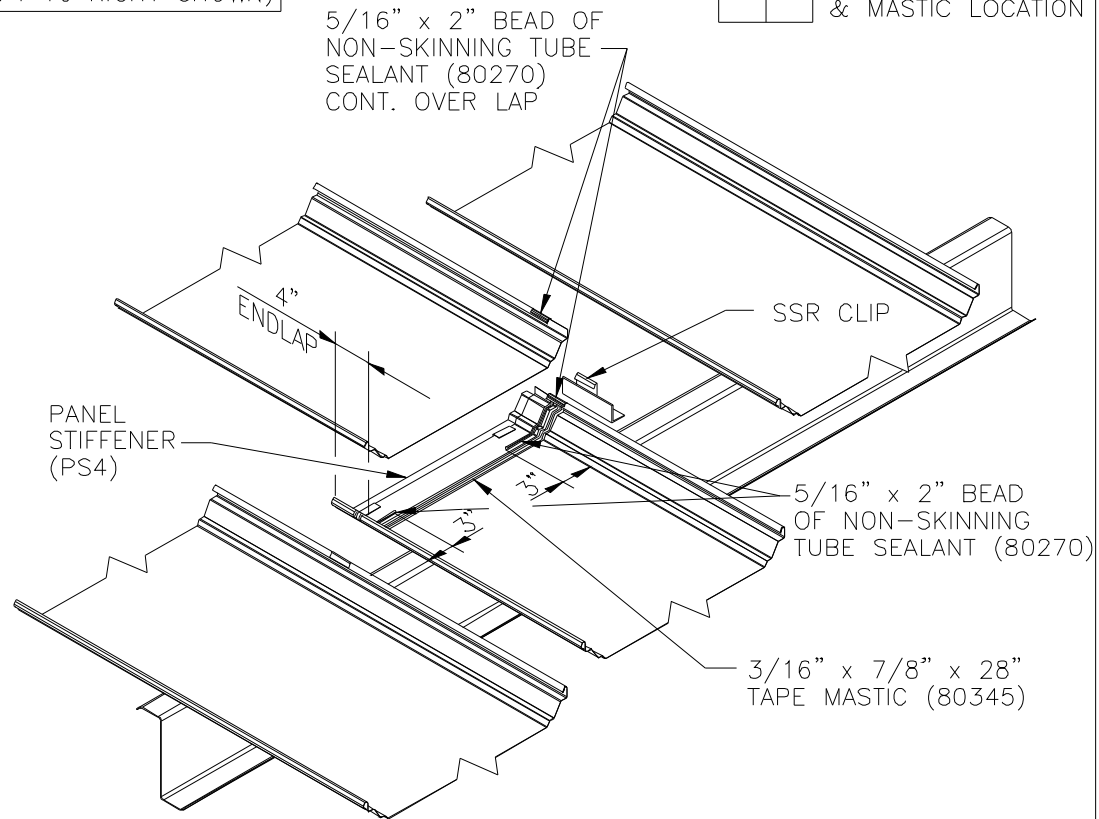
SEE

RC02_1

 FOR ENDLAP
SECTION
SEE

RC02L2

 FOR FASTENER
& MASTIC LOCATION

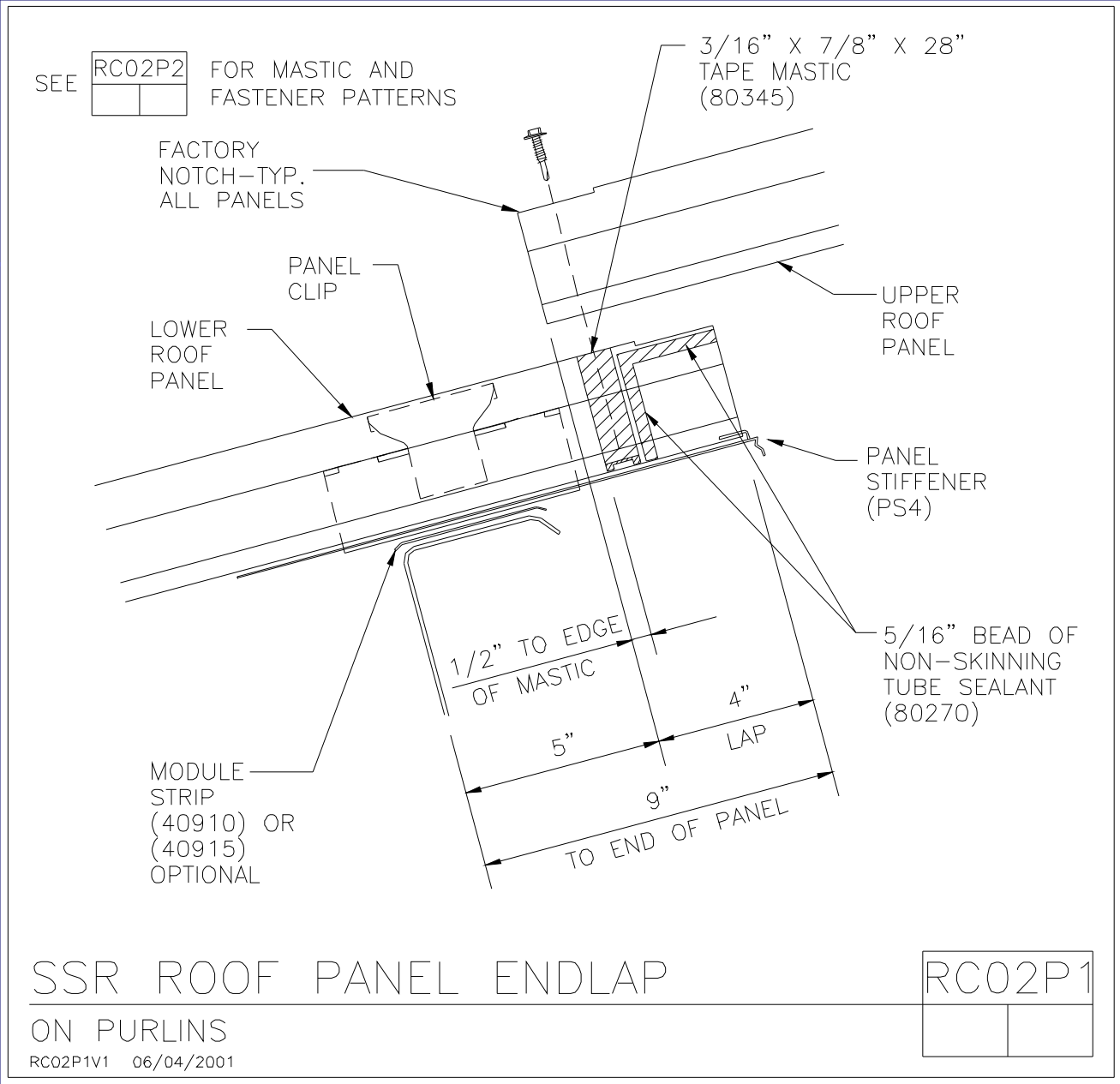


SSR STAGGERED PANEL ENDLAP

RC02L3

PLAN VIEW

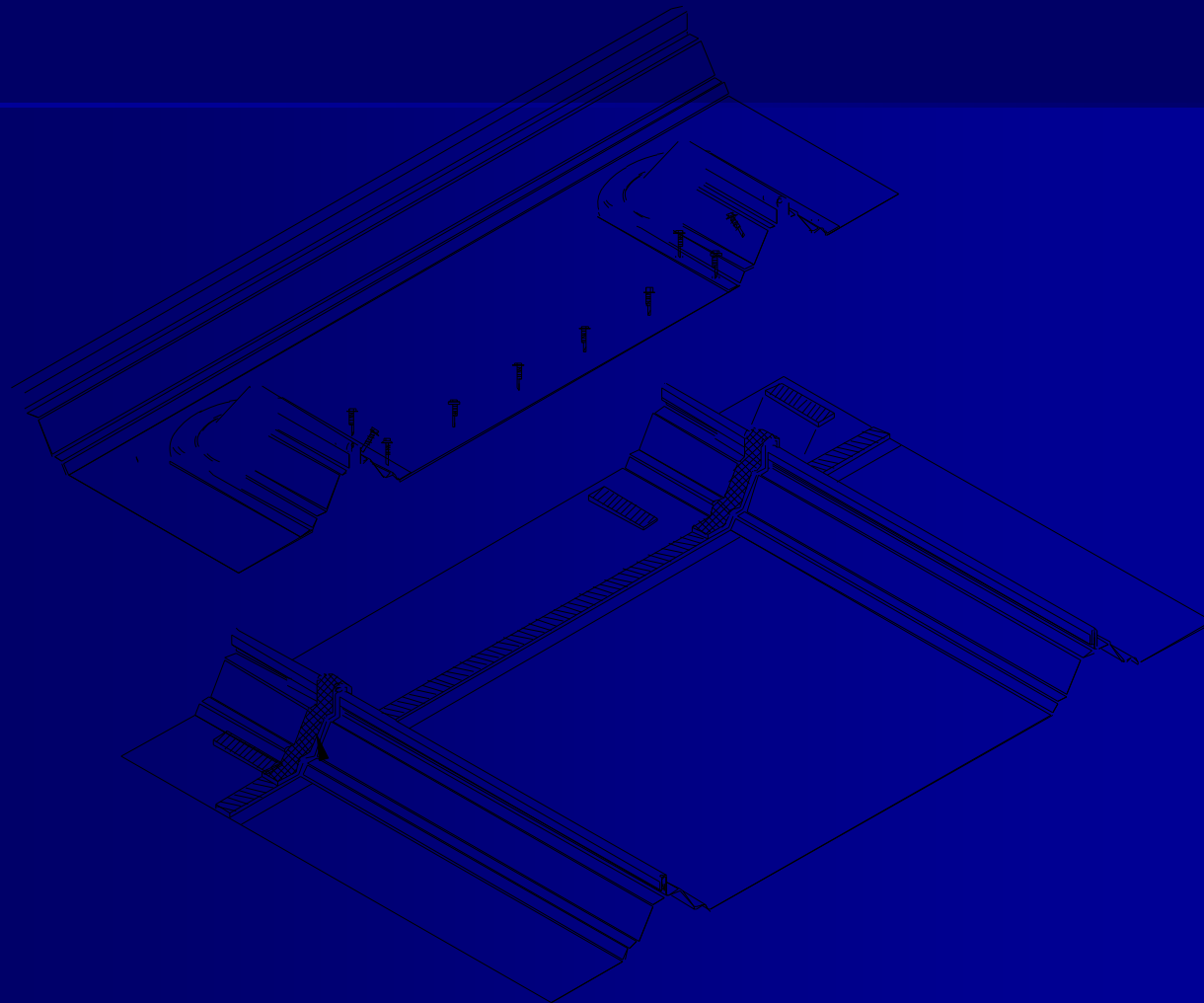
RC02L3V1 07/01/2000





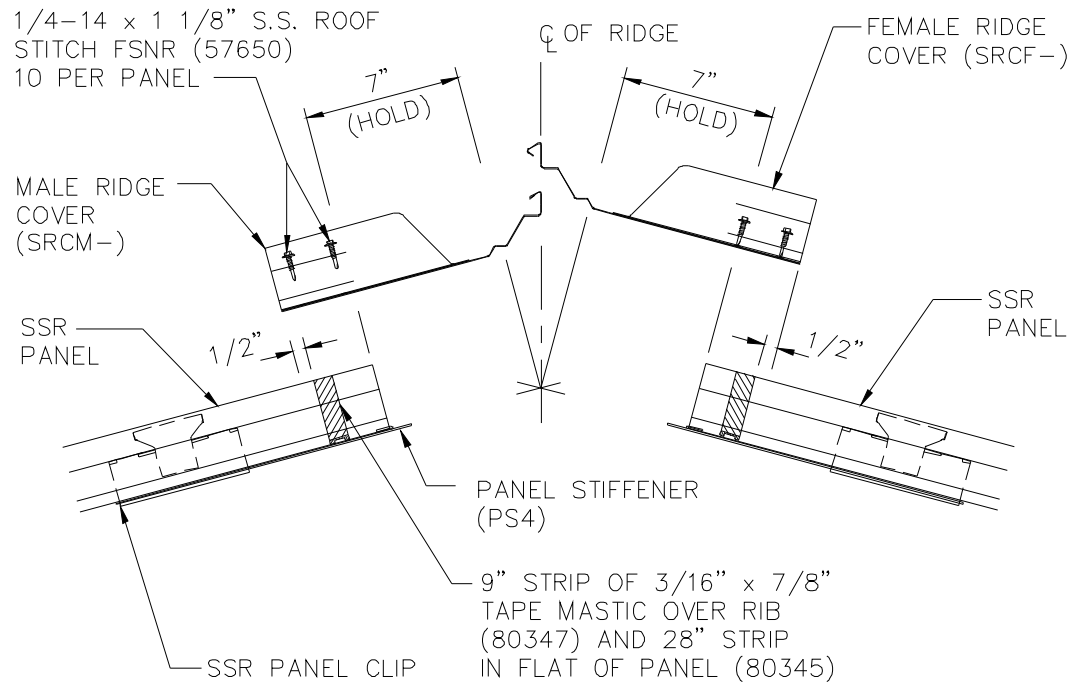


SSR Ridge





SSR Ridge Detail



SEE

RC34H4

 FOR FSNR AND MASTIC PATTERN

SSR RIDGE COVER ATTACHMENT

RC34H1

RC34H1V4 R 10/24/2001



SSR Ridge Detail





SSR Ridge Detail



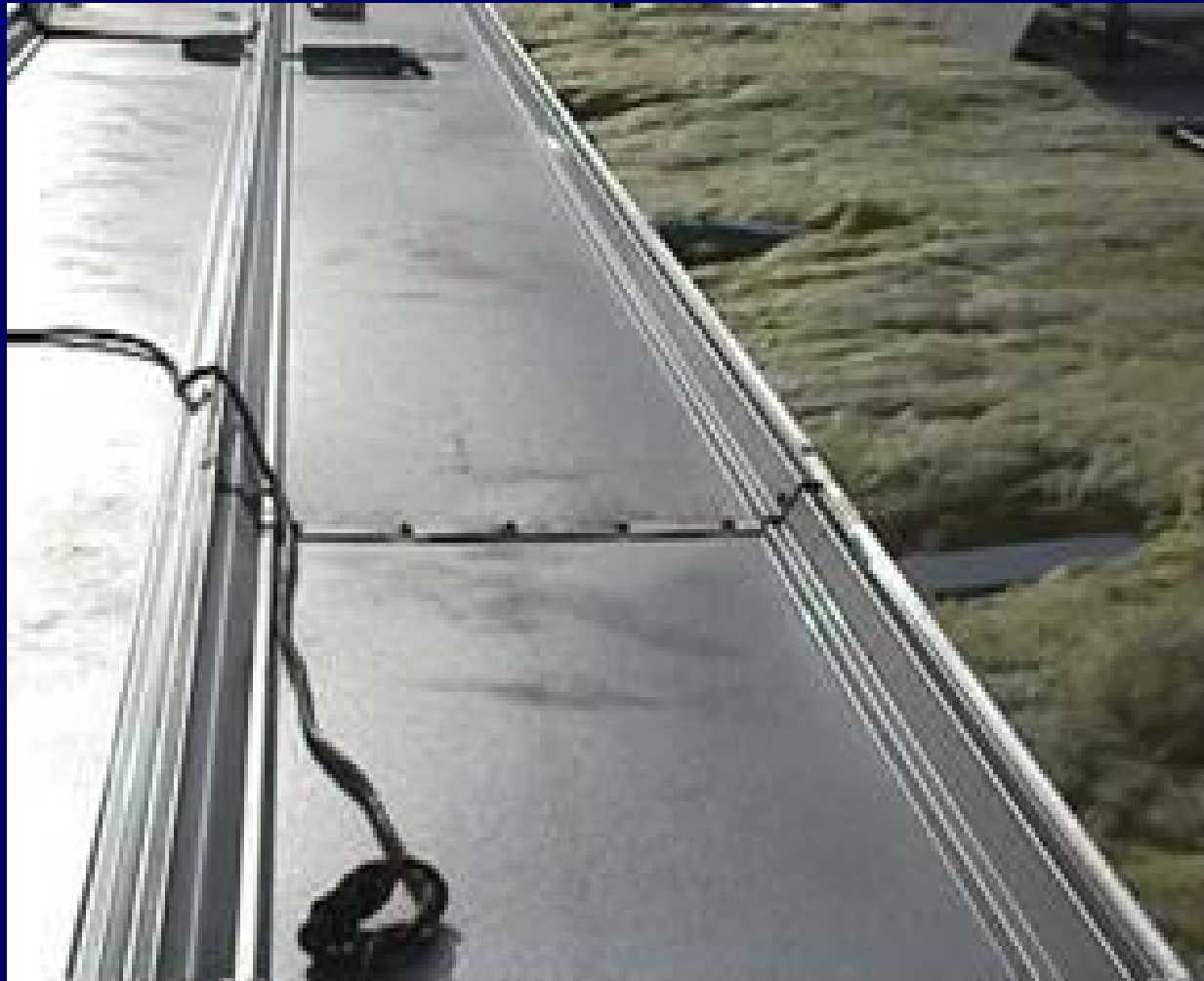




















SSR





SSR





LIMITATIONS

- The maximum recommended sheet length is 50'-0" for all Service Centers.
- The maximum recommended continuous run from eave to ridge is 210' with purlins or Transbay members and a fixed eave. For jobs that exceed 210', a fixed centerline can be used to span up to 420'. Runs exceeding these limitations should be considered for expansion joints.
- Minimum recommended roof slope for SSR be 1/4: 12.

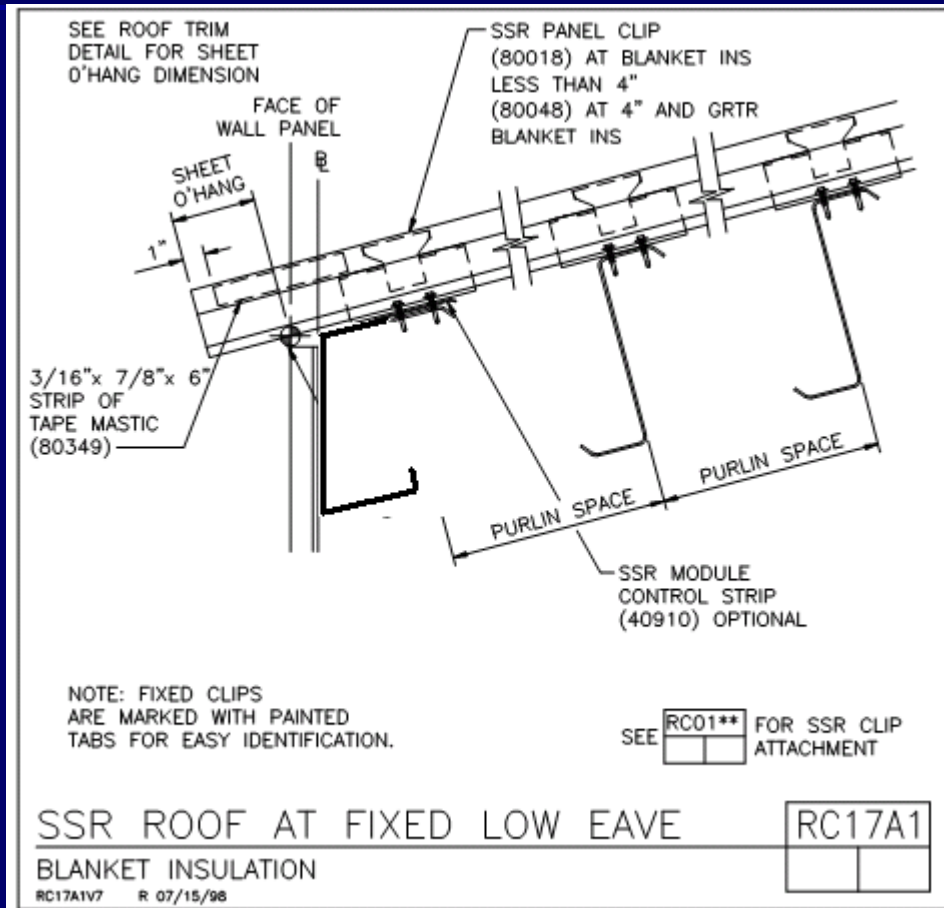


LIMITATIONS

	Panel and Secondary Type		
	PR	SSR w/ Purlins	SSR w/ WBTP
Type of Expansion Joint to use			
Fixed Centerline	>100'	>210' <420'	>210' <420'
6" Step	NA	>420	>420

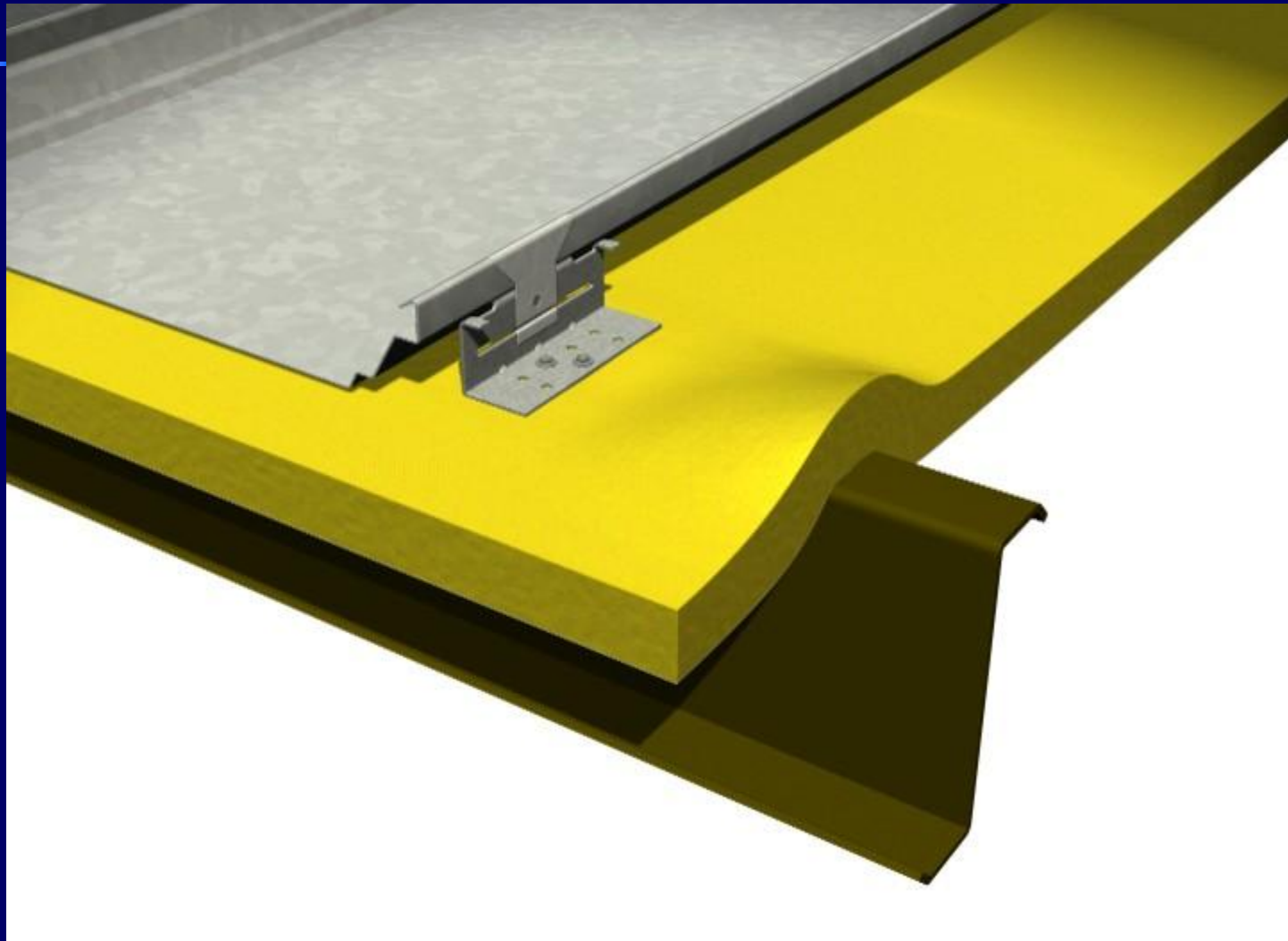


Floating Roof System



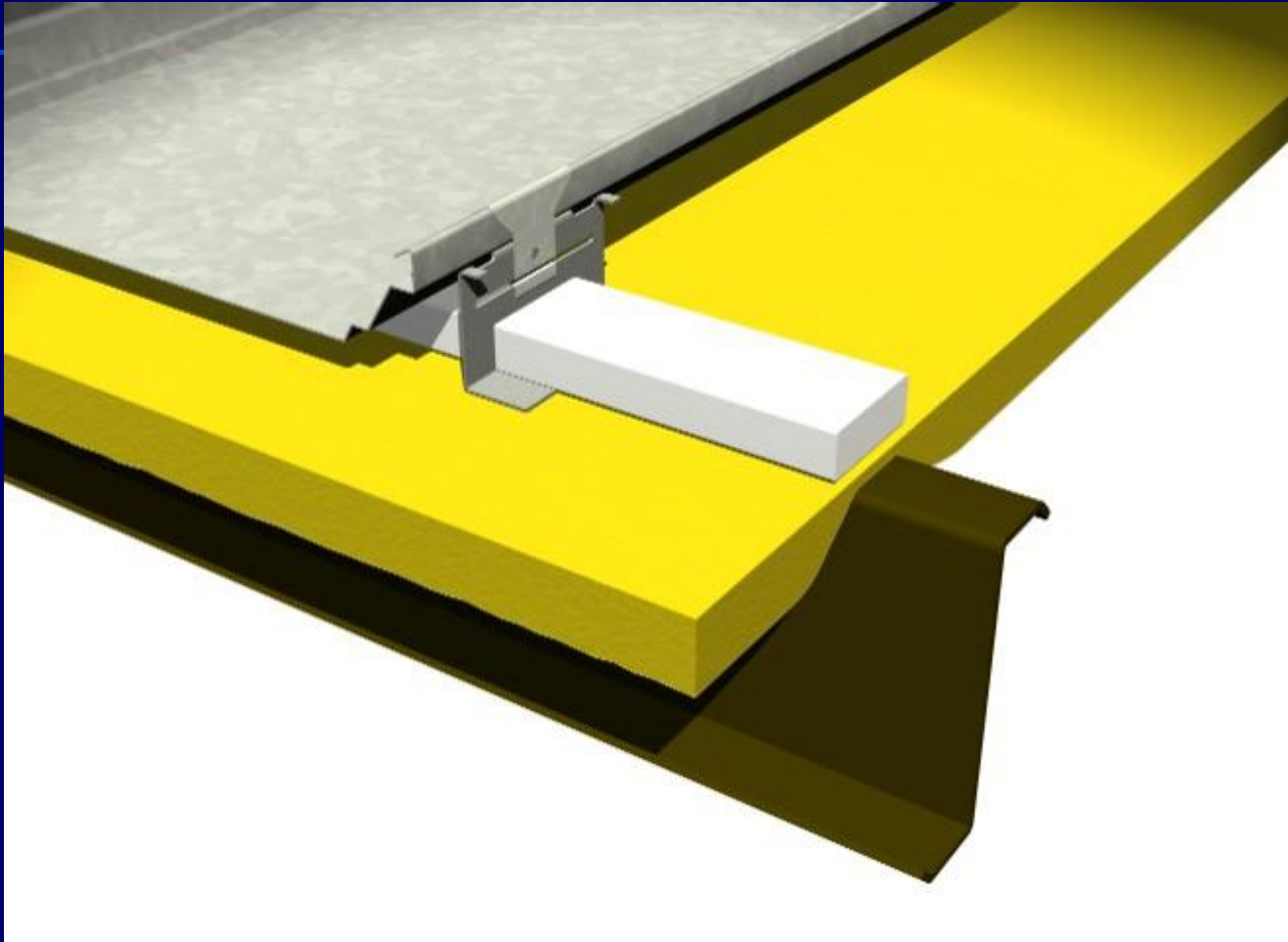


SSR – Insulation over purlins



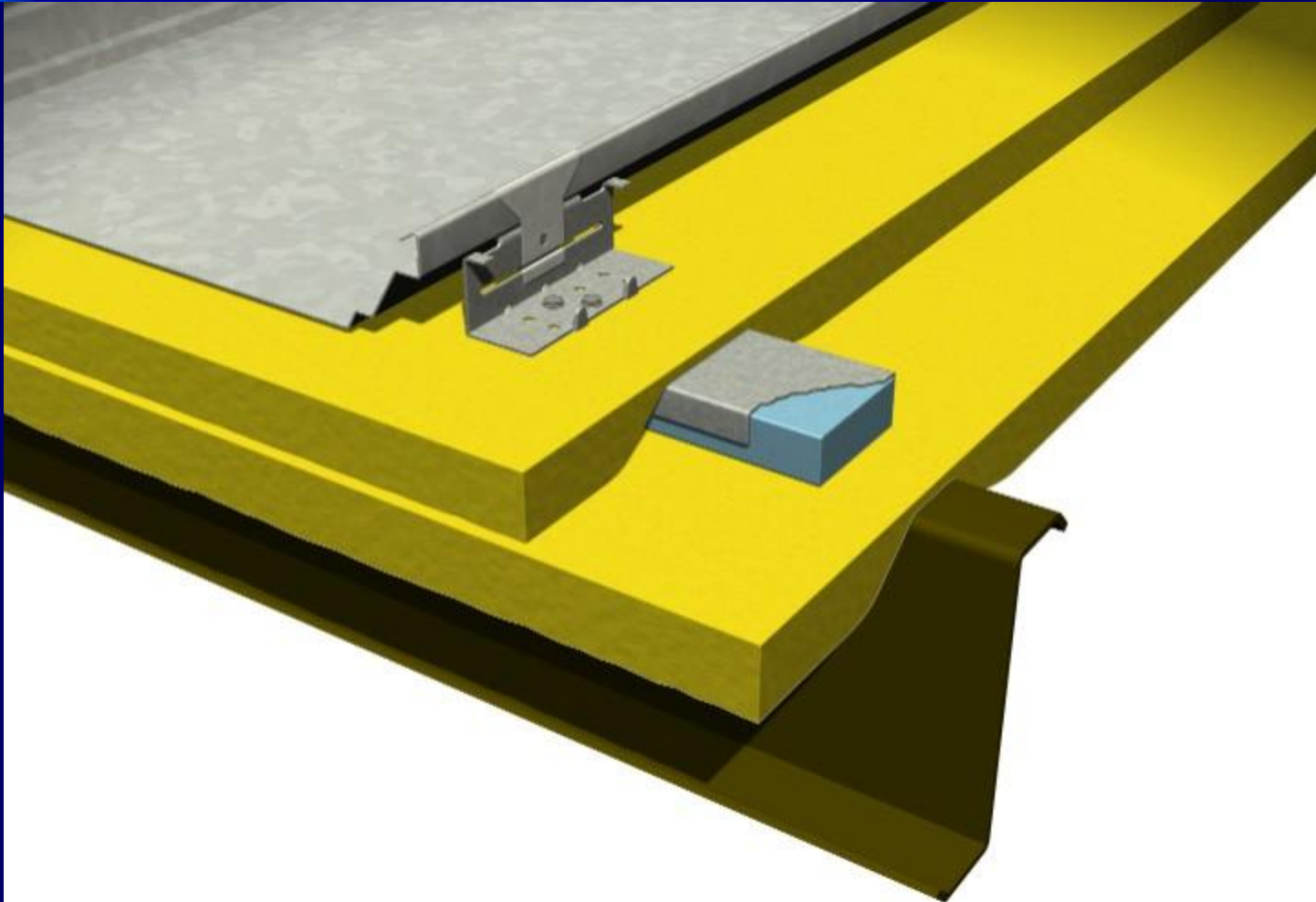


SSR Thermal Block





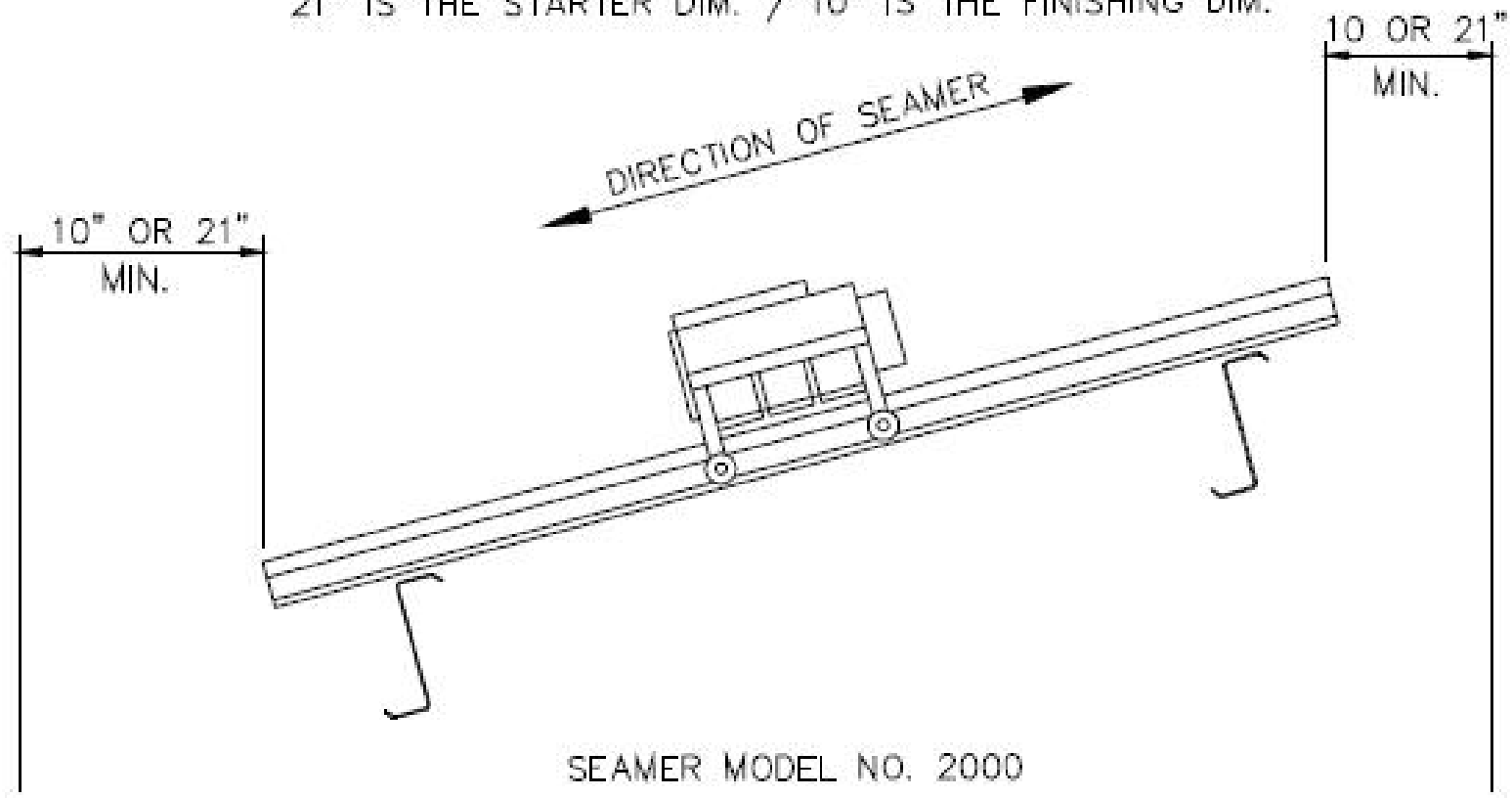
SSR SuperBlock





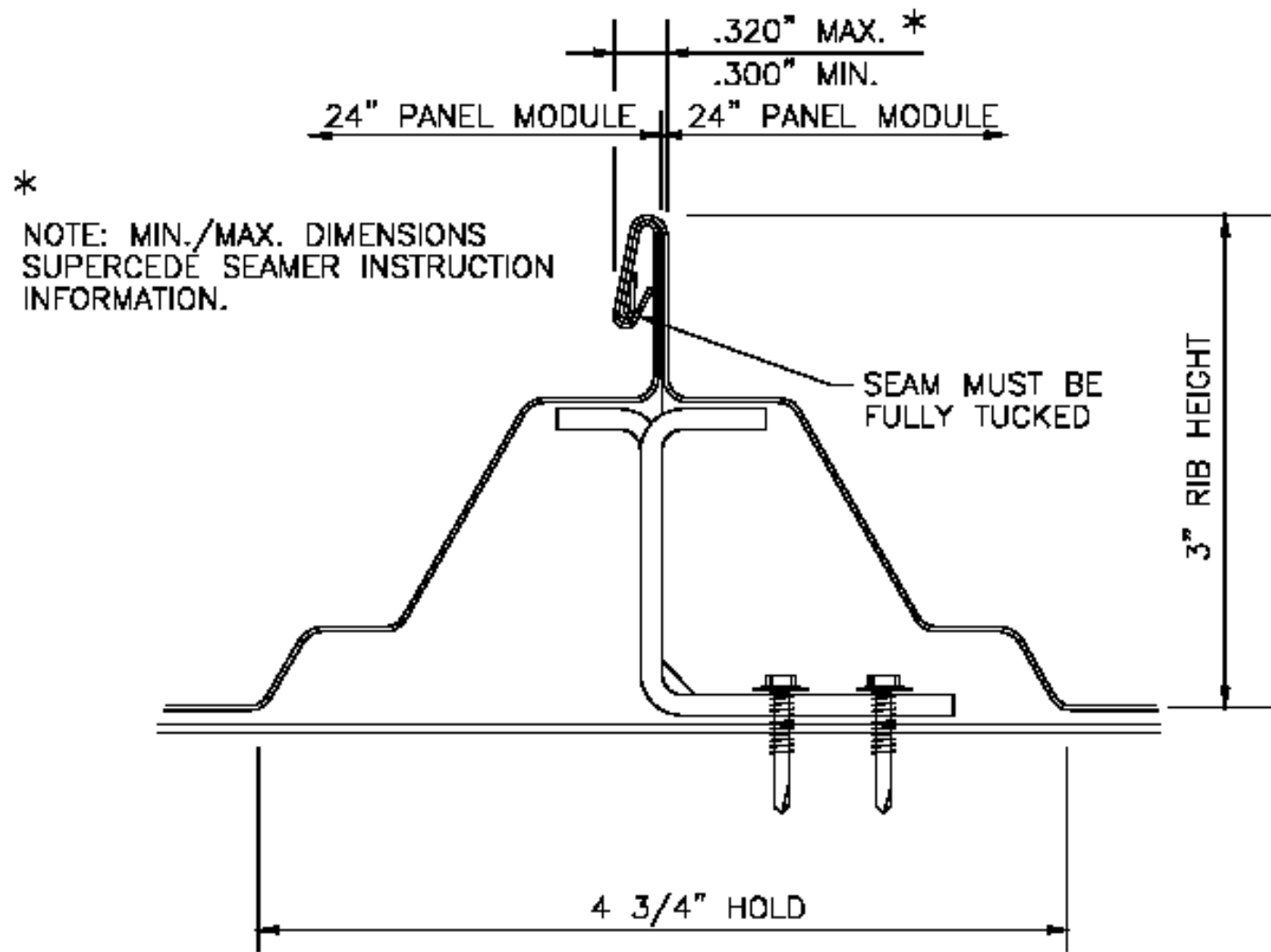
Seamer Tool

21" IS THE STARTER DIM. / 10" IS THE FINISHING DIM.





IT IS THE RESPONSIBILITY OF THE ERECTOR TO INSURE PROPER SEAM TIGHTNESS. FAILURE TO PROPERLY SEAM THE JOINT MAY RESULT IN PREMATURE FAILURE OF PANELS AND/OR SECONDARY MEMBERS UNDER UPLIFT OR DOWNWARD LOADING CONDITIONS.





Roof Covering

- Standing Seam (SSR)
- Panel Rib (PR)

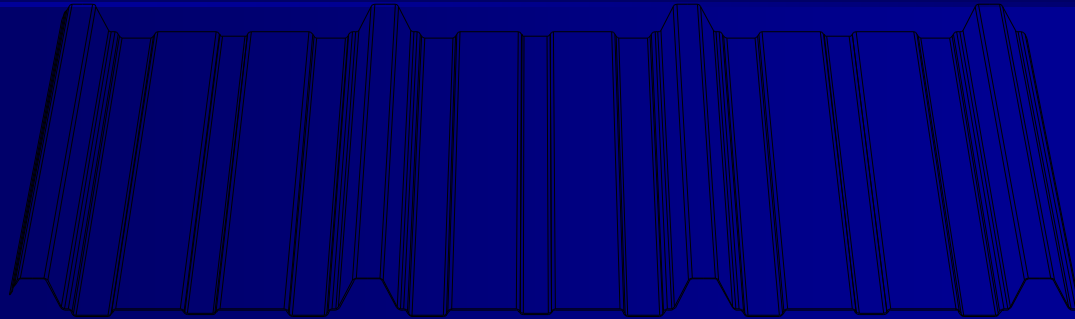


Panel Rib

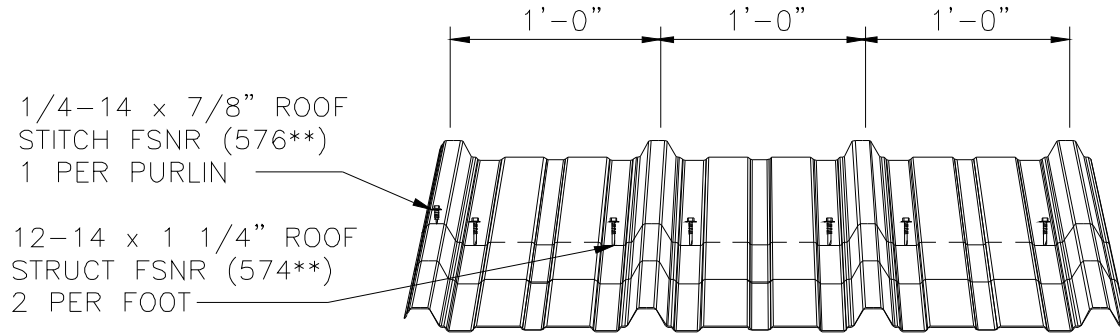




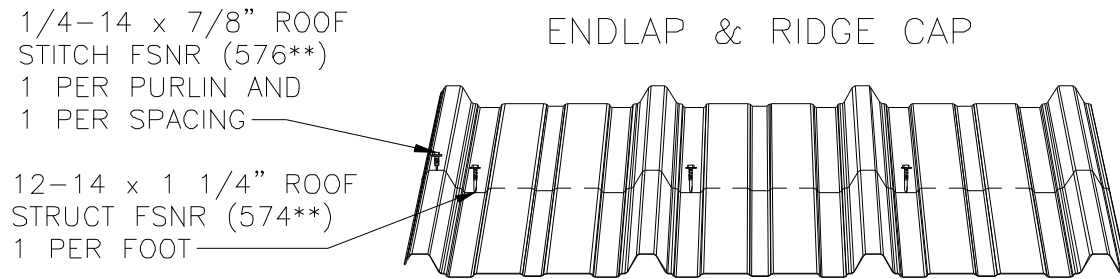
Roof Covering (PR)



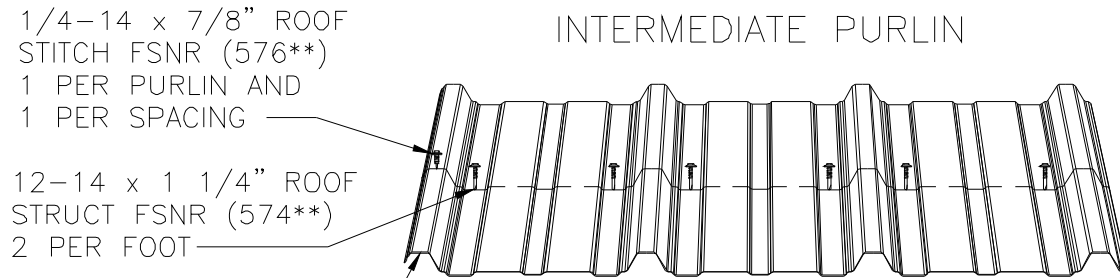
- 36" coverage
- Available in 26, 24, & 22 gages
- Available in Galvalume & KXL finishes



ENDLAP & RIDGE CAP



INTERMEDIATE PURLIN



BUILDING EAVE

PANEL SIDELAP

PANEL RIB ROOF FSNR PATTERNS

RC04B1

STANDARD

RC04B1V3 R 07/03/2001

RC04B1	





Roof Covering (PR)

- Attached to purlins with self-drilling fasteners
- Use with Blanket Insulation up to 4" thick
- $1/2:12$ minimum roof pitch
- Cannot be used on WBTP/bar joist



Panel Rib





BLU
S



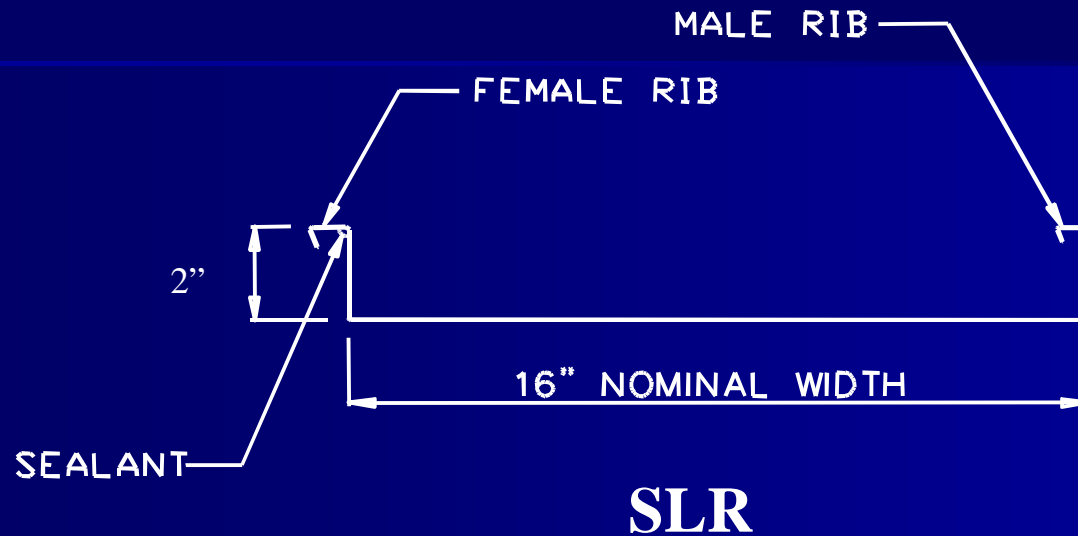


Roof Covering

- Standing Seam (SSR)
- Panel Rib (PR)
- SLR



Roof Covering (SLR)



- Architectural Standing Seam Roof System (2" Seam Height)
- Available in a variety of KXL colors



Roof Covering (SLR)

- 16" Coverage with 2" Seam Heights
- Machine seamed in-place
- Attached to roof secondary (purlins or bar joist) w/ a concealed clip which allows 1" thermal movement.
- Weather tight Roof System



1/4-14 x 1 1/8" ROOF
STITCH FSNR.
(702**) (4) PER PANEL
INSTALL IN DIRECTION
OF ERECTION

SEE

RC02J1

 FOR ENDLAP
SECTION

SWAGED END
PANEL

3/8" x 6" BEAD OF
NON-SKINNING SEALANT
(80070)

PANEL STIFFENER
(80064)

SLR CLIP

5"
ENDLAP

SHEETING DIRECTION

(2) 3/8" BEADS OF
NON-SKINNING SEALANT
(80070)

THERMAL BLOCK (80065)

NOTE: THERMAL BLOCKS MUST BE
ADHERED TO SECONDARY WHEN NO
INS IS USED. ADHESIVE IS NBVP

SLR STAGGERED PANEL ENDLAP

RC02J2

PLAN VIEW

RC02J2V1 05/01/95

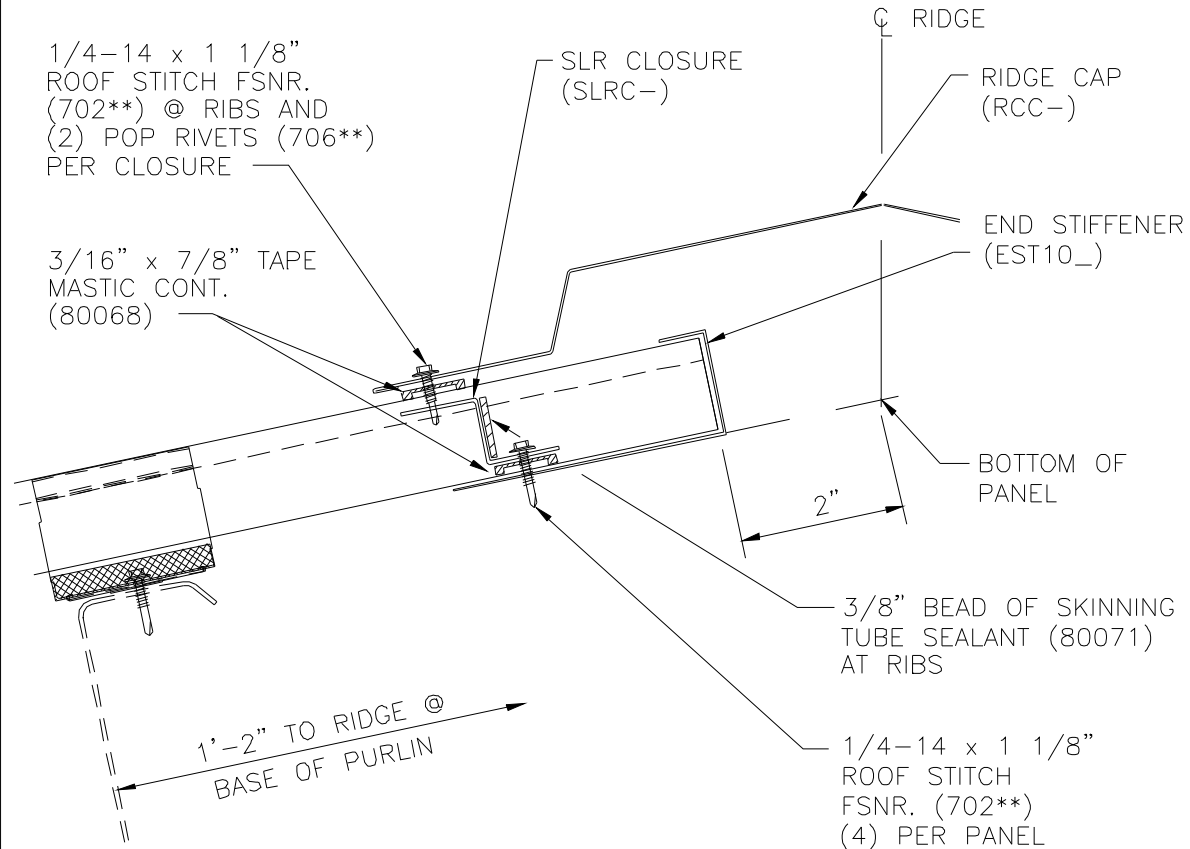


Roof Covering (SLR)

- 24 Gage only with 2" High Rib
- 20-Year Warranted KXL Finishes
- Variety of colors to choose from
- Use with Blanket Insulation up to 6" thick
- Thermal Blocks are Required



SLR Ridge Detail



SLR RIDGE COVER

RC12E1

RC12E1V2 R 04/30/98



SLR





SLR





SLR





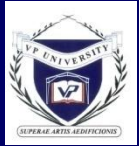
SLR





SLR





Covering

Wall Covering



Wall Covering

- Panel Rib (PR)
- Vee Rib (VR)
- Reverse Panel Rib (RPR)
- Stran-Lok (SL)



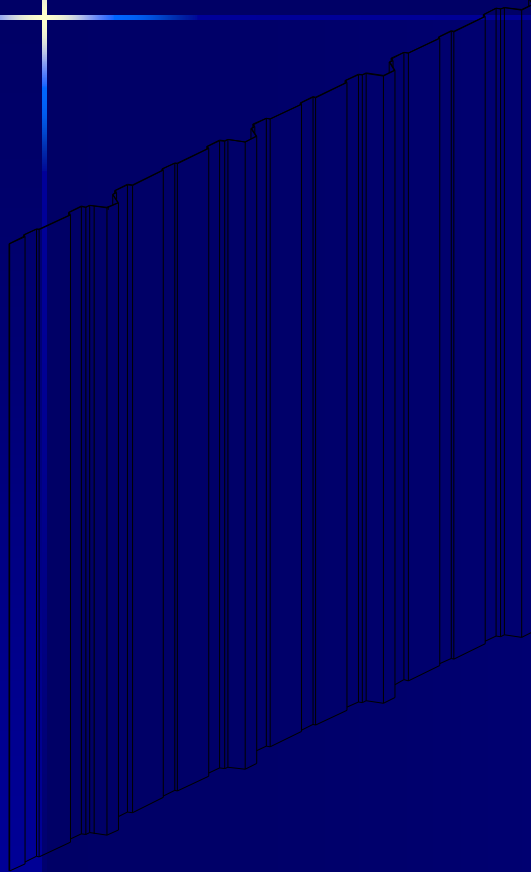
Wall Covering

- Panel Rib (PR)





Panel Rib (PR)



- 36" Coverage
- Available up to 41'-0" long
- Variety of end conditions available
- Available with KXL & Galvalume finishes
- Fasteners match wall color
- 26, 24 & 22 available
- Use with insulation up to 4" thick



1/4-14 x 7/8" WALL STITCH
FSNR (565**) 1 PER SUPPORT
AND 1 PER GIRT SPACE
2 FSNRS REQ'D WHEN SPACE
EXCEEDS 6'-0"

12-14 x 1 1/4"
WALL STRUCT
FSNR (564**) 2 PER FOOT

12-14 x 1 1/4"
WALL STRUCT
FSNR (564**) 2 PER FOOT

EAVE OR
RAKE MEMBER

INTERMEDIATE
WALL GIRT

12-14 x 1 1/4"
WALL STRUCT
FSNR (564**) 1 PER FOOT
AT INT GIRTS

BASE MEMBER

PANEL SIDELAP

PANEL RIB WALL

FASTENER PATTERNS

WC04A1V4 R 04/15/95

WC04A1





Crimped Base Panel Rib



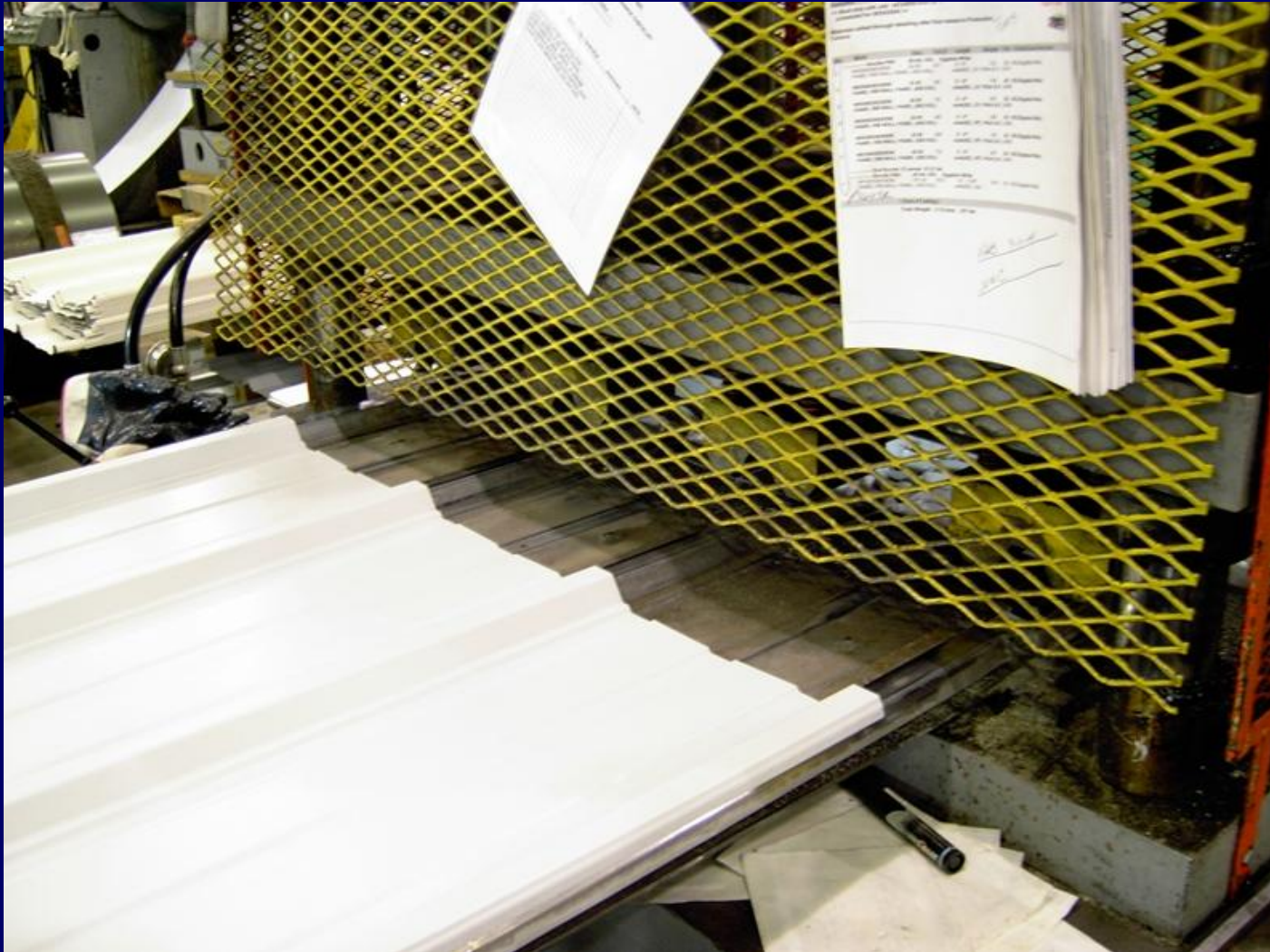


Crimped Base Panel Rib



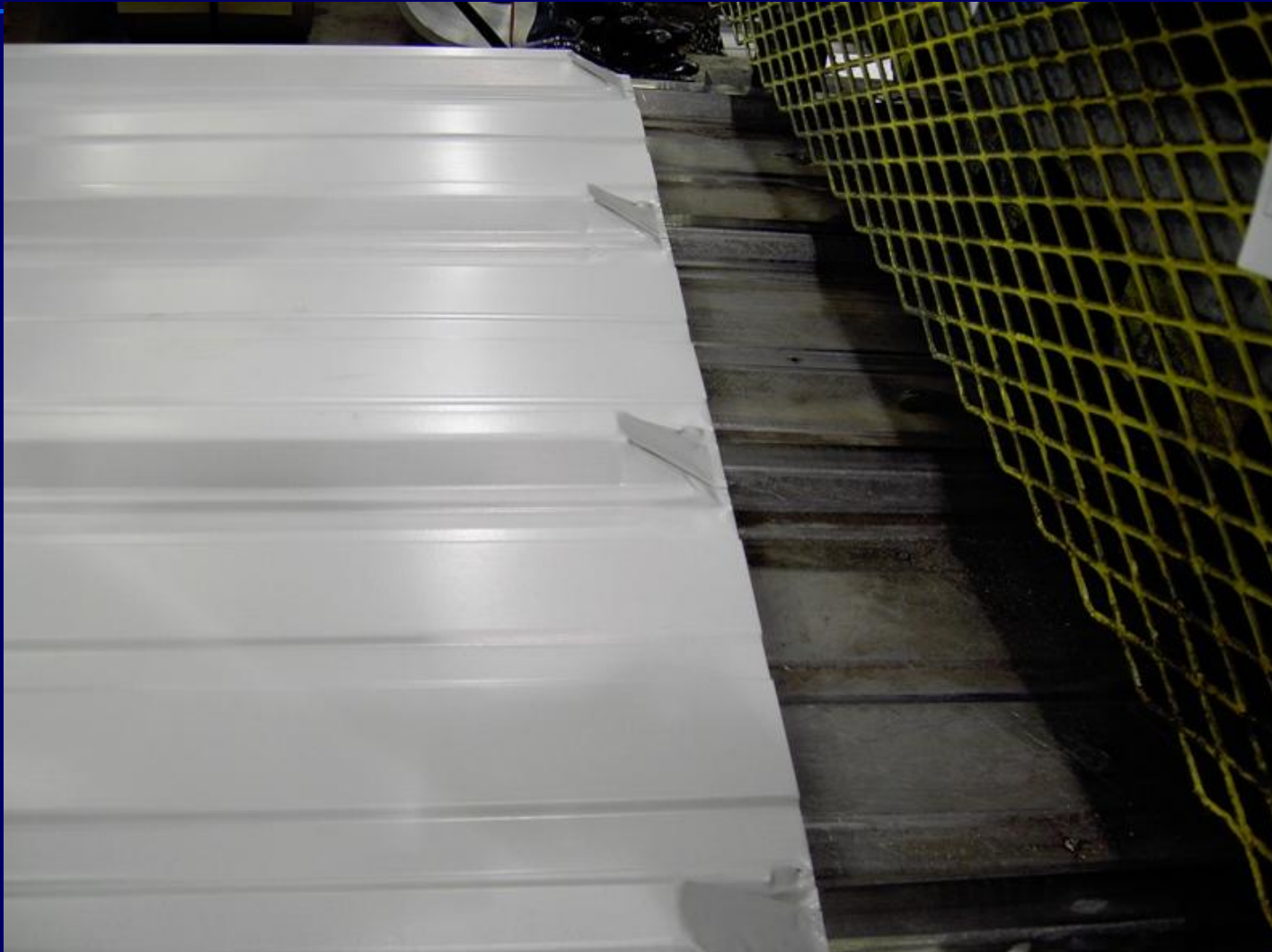


Crimped Base Panel Rib





Crimped Base Panel Rib





Panel Rib Wall





Panel Rib Wall



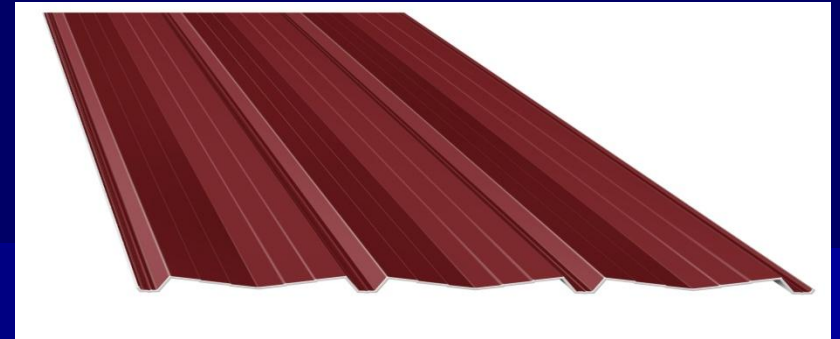


Vee Rib Wall





Vee Rib (VR)



- 36" Coverage
- Available up to 41'-0" long
- Stucco Embossed
- Panels available KXL finishes
- Fasteners match wall color
- 26, 24, & 22 gage
- Use with insulation up to 4" thick



1/4-14 x 7/8" WALL STITCH
FSNR (565**) 1 PER GIRT SPACE
2 FSNRS REQ'D WHEN SPACE
EXCEEDS 6'-0"

12-14 x 1 1/4"
WALL STRUCT
FSNR (564**) 1 PER FOOT

EAVE OR
RAKE MEMBER

INTERMEDIATE
WALL GIRT

12-14 x 1 1/4"
WALL STRUCT
FSNR (564**) 1 PER FOOT

BASE MEMBER

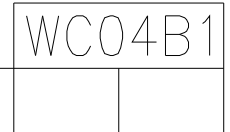
12-14 x 1 1/4"
WALL STRUCT
FSNR (564**) 1 PER FOOT

PANEL SIDELAP

VEE RIB WALL

FASTENER PATTERNS

WC04B1V4 R 04/15/95





Vee-Rib Base





Vee Rib



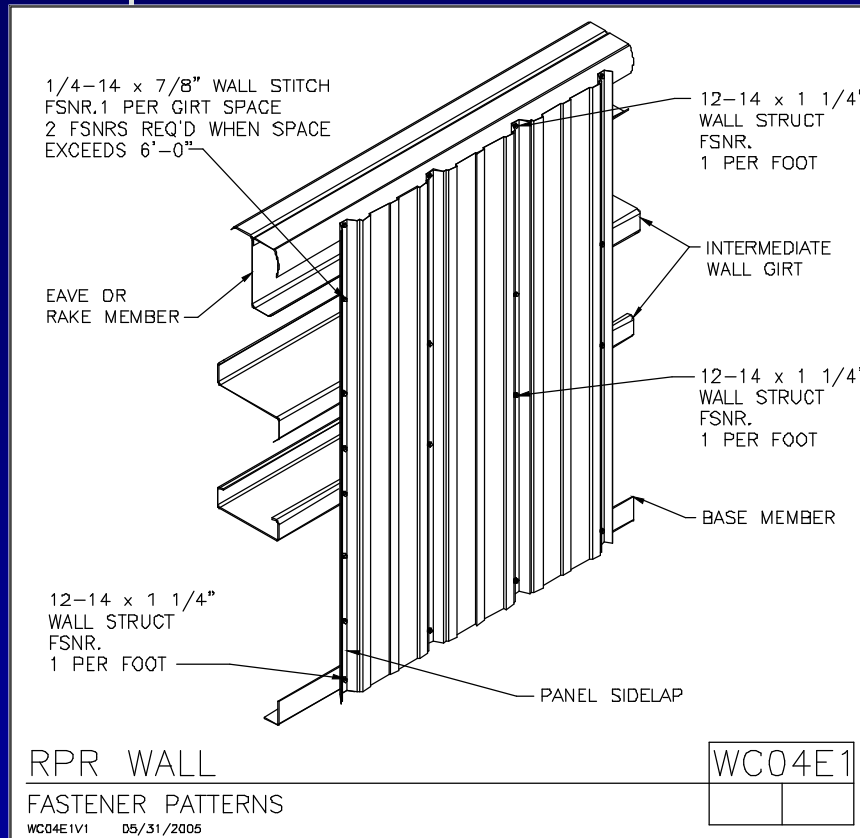


Wall Covering

- Reverse Panel Rib (RPR)



Reverse Panel Rib (RPR)



- 36" Coverage
- Available up to 41'-0" long
- Available with KXL & Galvalume finishes
- Fasteners match wall color
- 26, 24 & 22 available
- Use with insulation up to 4" thick



Reverse Panel Rib (RPR)





Reverse Panel Rib (RPR)





Reverse Panel Rib (RPR)





Reverse Panel Rib (RPR)





Wall Covering

- Panel Rib (PR)
- Vee Rib (VR)
- Reverse Panel Rib (RPR)
- Stran-Lok



Wall Covering

■ Crating Options:

- Max. Cnt. per Crate
 - Request a maximum quantity of panels per crate / bundle to Manufacturing.
- Max. Wt. per Crate
 - Request a maximum weight of panels per crate / bundle to Manufacturing.
- Max. Dist. Combine Sets
 - The maximum distance between like panel set to be combined.

Max. Cnt. Per Crate

0

Max. Wt. Per Crate

0.0000

Max. Dist. Combine Sets

0/0/0



Wall / Roof Material NBVP

The builder is must supply the actual weight of these materials.
The weights on this page are only for reference.

WALLS	
Brick	
4"	40 psf
8"	80 psf
12"	120 psf
Hollow Concrete Block (Heavy Aggregate)	
4"	30 psf
6"	43 psf
8"	55 psf
12 1/2"	80 psf
Hollow Concrete Block (Light Aggregate)	
4"	21 psf
6"	30 psf
8"	38 psf
12"	55 psf
Miscellaneous	
Window, glass, frame, & sash	8 psf

ROOFS	
Copper or tin	1 psf
Corrugated steel	See Manufacture
3-ply ready roofing	1 psf
3-ply felt and gravel	5 1/2 psf
5-ply felt and gravel	6 psf
Shingles	
Wood	2 psf
Asphalt	3 psf
Clay tile	9 - 14 psf
Slate 1/4"	10 psf
Sheathing	
Wood 3/4"	3 psf
Gypsum 1"	4 psf
Insulation (per 1" thick)	
Loose	1/2 psf
Poured-in-place	2 psf
Rigid	1 1/2 psf

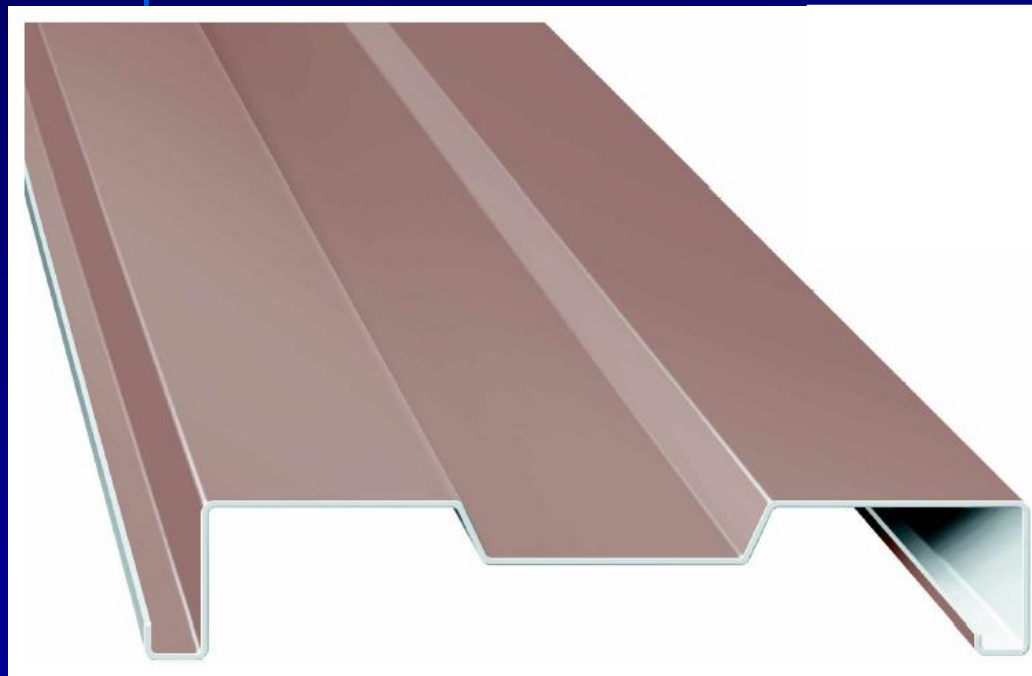


Stran-Lok Wall Covering





Stran-Lok Wall Covering



- 16" Coverage, 3" deep
- Available up to 41'-0" long
- Stucco Embossed
- Panels available KXL finishes



Stran Lok Wall

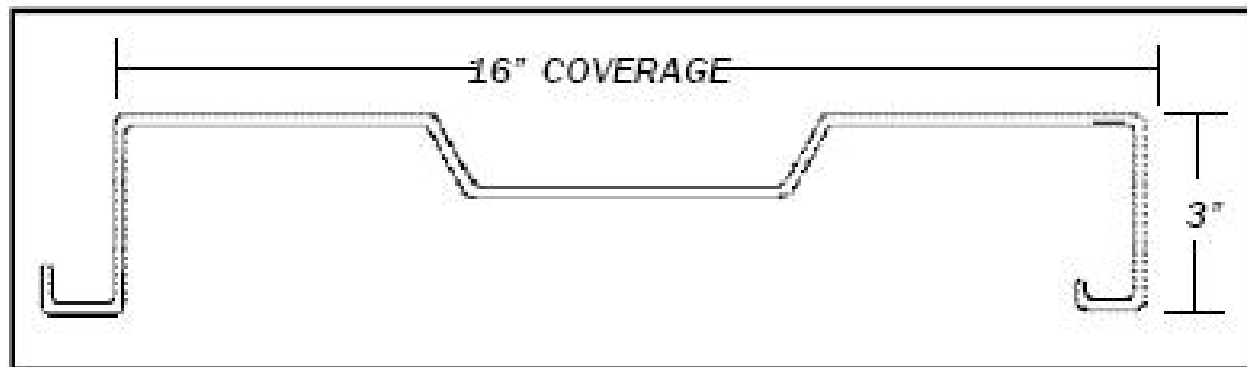




Stran-Lok Wall Covering

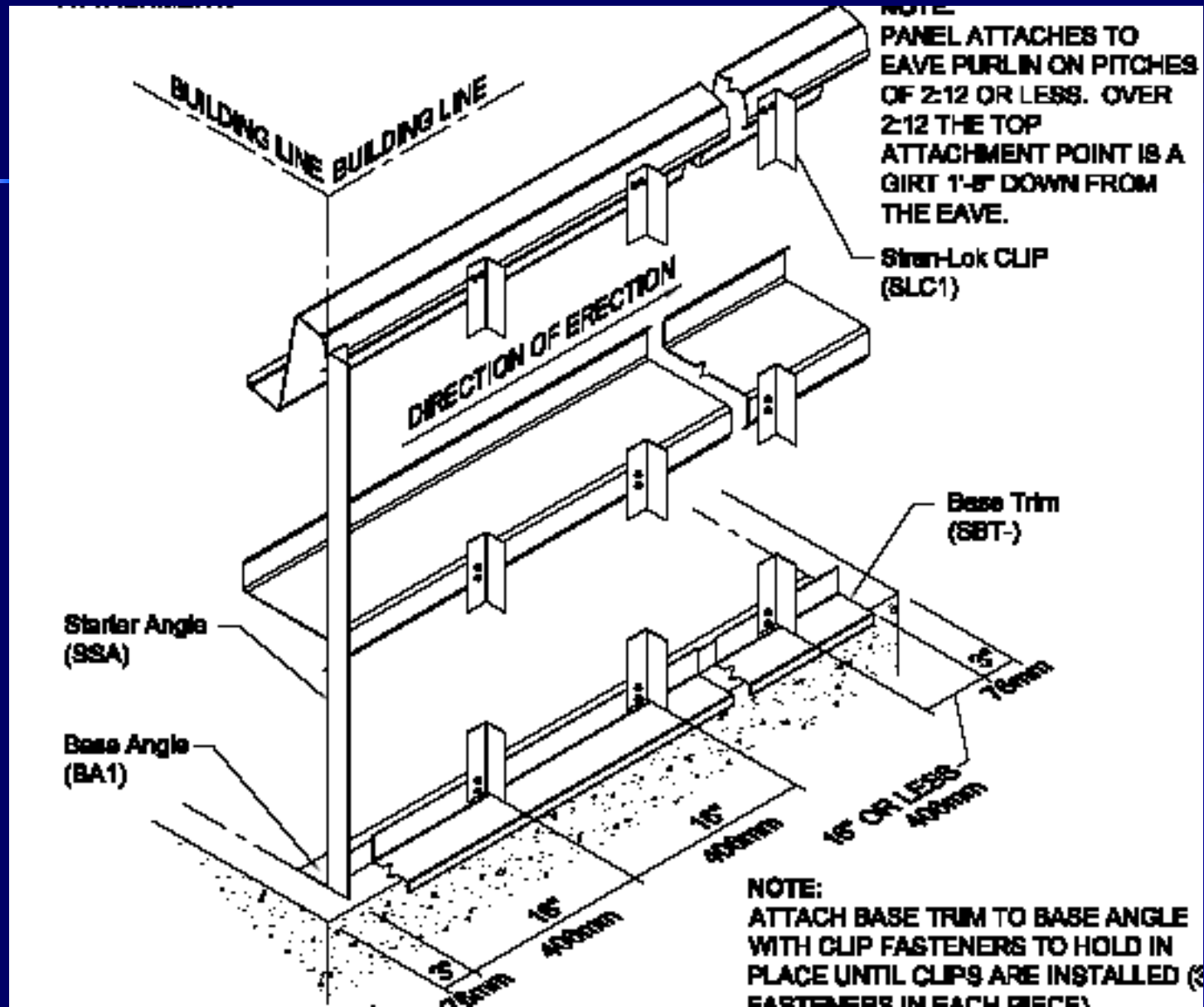
- first girt typically at 10'-0 1/2 "
- no exposed fasteners
- 24 & 22 gage
- KXL finish

Stran-Lok Cross Section





Stran-Lok Wall Covering





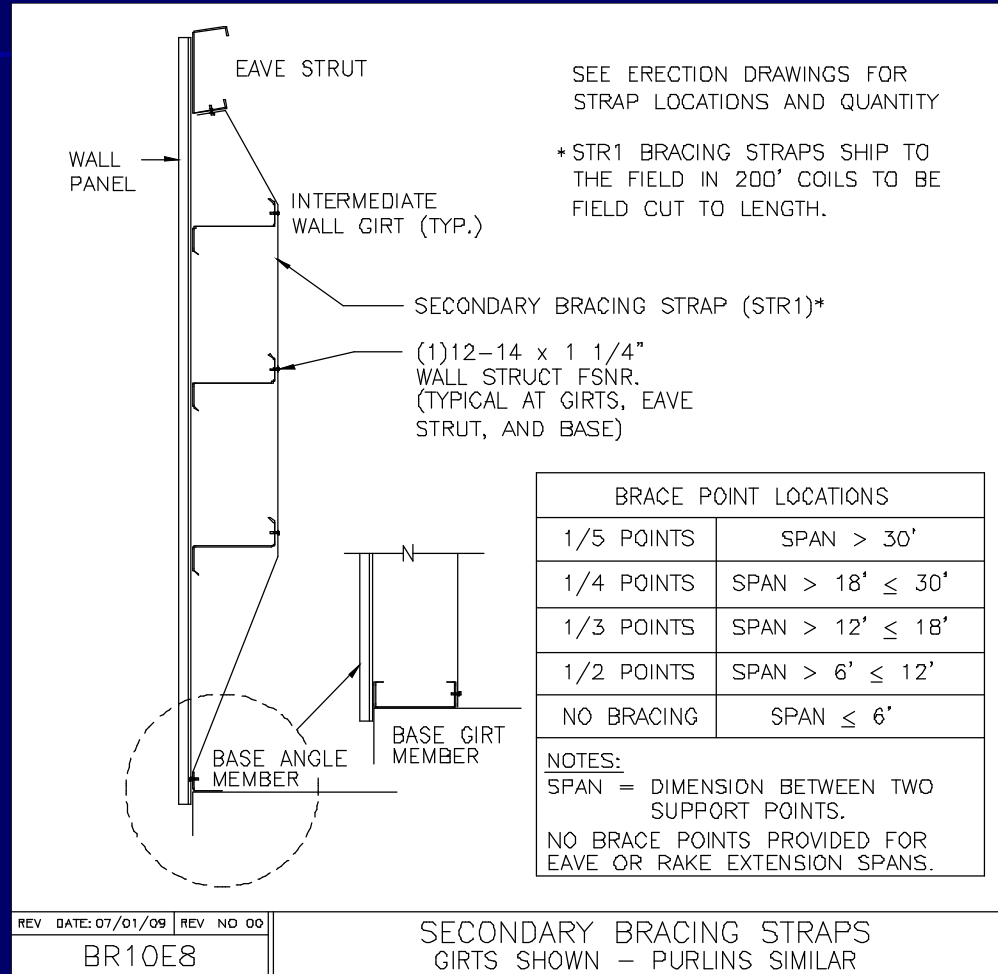
VP Components

- FP 12
- Soffit panel only
- Flush Panel Design
- 12" Module
- 7/8" Panel Height
- 24 and 22 Gage
- No Clips Required
- Available vented (perforated)





Girt Strapping for Panel NBVP



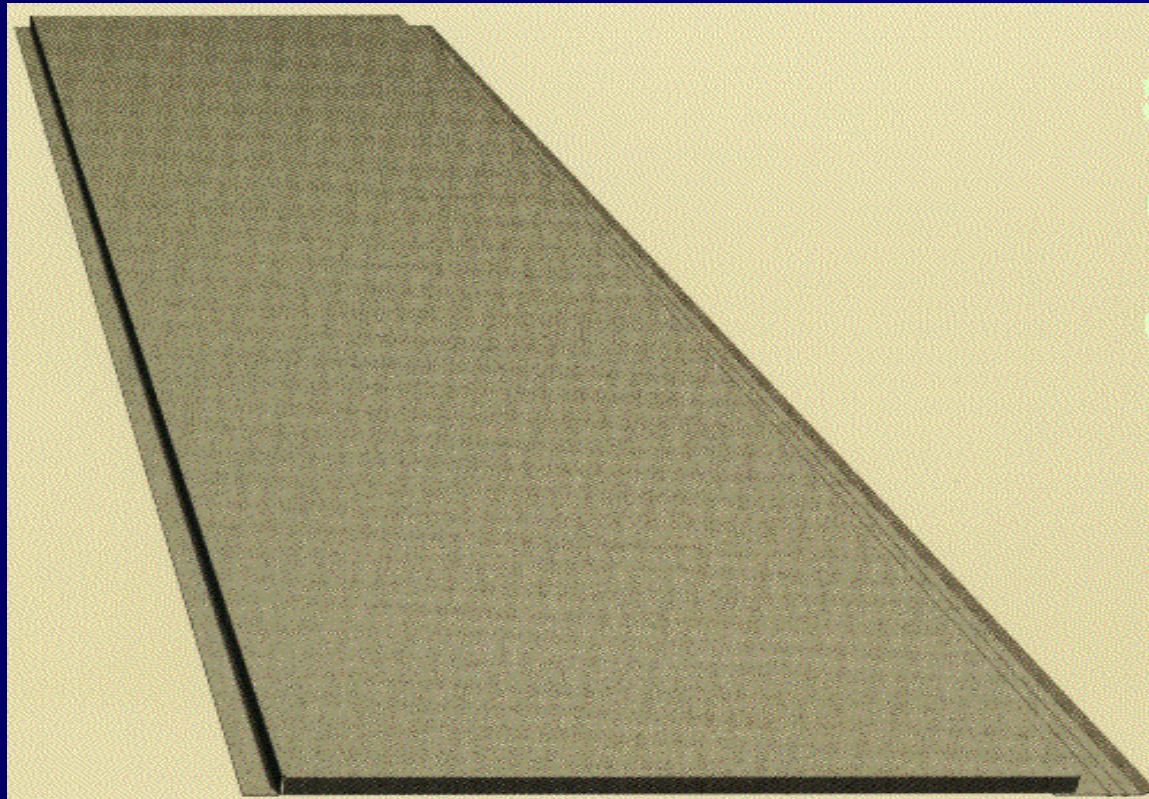


FP-12 Soffit





TextureClad



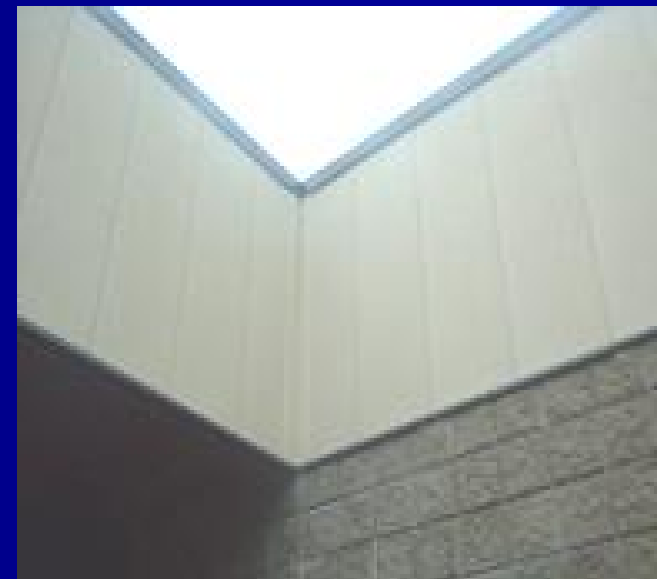


TextureClad

- 16" Wide Coverage
- Lengths 2' to 22'
- Stackable Panels
- 20 gage G-90 Galvanized Steel
- Concealed Fastener Installation
- Attaches Directly to Wall Girts (max. span of 5'-6")



TextureClad





ThermalClad

- Wall Panels
 - Architectural
 - Planked
 - Reveal
 - Striated
 - Tuff-Wall
 - Roof Panel
 - TCR-42
- } 2" – 2.5" – 3" – 4"



ThermalClad

- Wall Panel
- 36" wide
- Length 8' - 32'
- 26 Gauge Exterior
- Stucco Embossed
- Concealed Fastener
- Max R Value 32.3
- PVDF Finish





ThermalClad

Roof Panel

- 42" Wide
- Length 8' - 50'
- 24 Gauge Exterior
- Stucco Embossed
- Concealed Fastener
- Max R Value 32.3
- PVDF Finish
- 2" High SLR Rib



Storage, Shipping, Handling, and Installation Issues

PENCIL MARKS

Pencil is made of graphite. When a pencil is used to write on galvanized steel it leaves graphite powder on the surface. Figure 29 is an example of pencil mark corrosion on galvanized steel sheet. Pencil mark corrosion is a form of galvanic corrosion. Because graphite is electrochemically very noble, 3 to 4 volts more noble than the zinc, a strong galvanic cell is created and the zinc on or adjacent to the pencil mark rapidly corrodes. The open circuit potential of graphite is cathodic to all metals and alloys in most aqueous environments. One should never write on galvanized steel with a pencil.

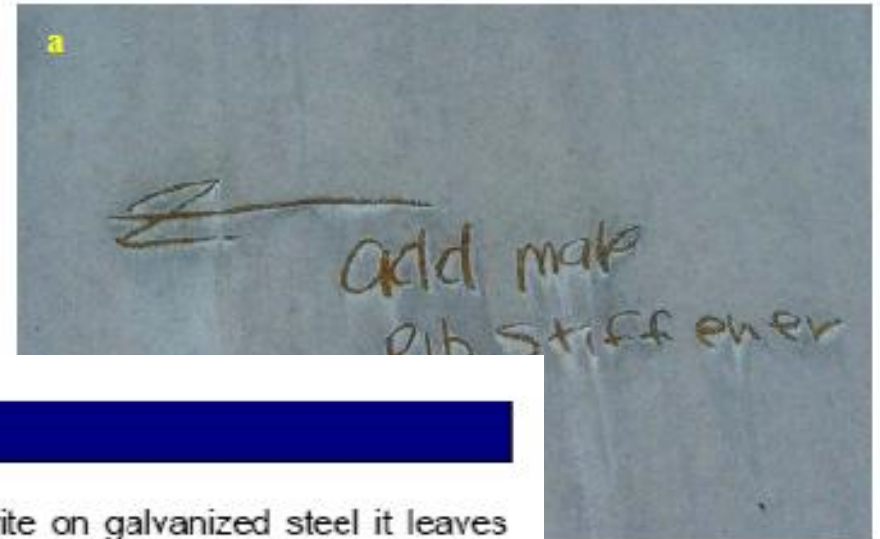


Figure 29. Photographs of pencil mark corrosion on galvanized steel sheet (a), and a magnified view of the mark (b).

